

STANDARD DRAWING

CB10001 B

USED ON

DATE

ASS'Y. NO.

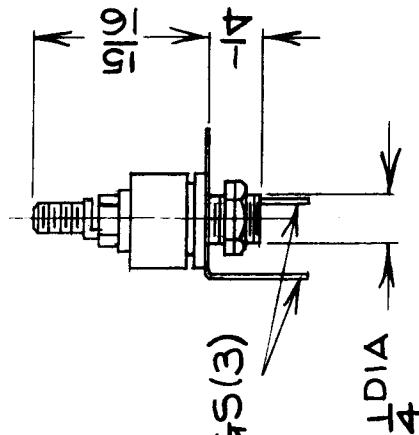
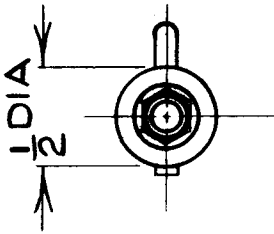
PROJECT NO.

MODEL

AMCG-5CE646
MAY 21/59

IF IT IS FOUND DESIRABLE TO CHANGE ANY TOLERANCE OR OTHER DETAIL SPECIFIED ON THIS DRAWING NOTIFY THE PURCHASER PROMPTLY.

MAXIMUM ALLOWABLE TOLERANCES HAVE BEEN DETERMINED AND DEVIATIONS WILL BE CAUSE FOR REJECTION. REMOVE ALL BURRS AND SHARP EDGES



SOLDER LUGS(3)

TMC No	MFG NO.	UUF
CB10001-1	C005BA/6E4	6.4
CB10001-2	C005BA/10E	10

REF: S10045-1

B	2	ON CHART MFG NO. WAS ROGERS*	826 64	12219	ASB	MM
A	1	REF. WAS ROGERS...	057		DM	MM
ISSUE ITEM		CHANGED FROM	DATE	CN. NO.	DRAFTS CHECKER	ENG. APP.
TOLERANCES DEC. DIM. ± FRAC. DIM. ± ANGULAR DIM. ±						
DRILL, PUNCH, COMMERCIAL STOCK SIZES AND MANUFACTURERS TOLERANCES ARE NOT INCLUDED.						

REQ. ITEM	PART NO.	DESCRIPTION	SYMBOL
		TMC (Canada) LIMITED OTTAWA ONTARIO	
		CAPACITOR	
		AIR TRIMMER	
		DCM	
		DRAWN	M. J. J.
		ELEC. DES. APP.	
		MECH. DES. APP.	
		CHECKED	
		FINAL APPROVAL	
		FINISH & SPEC. NO.	CB10001 B