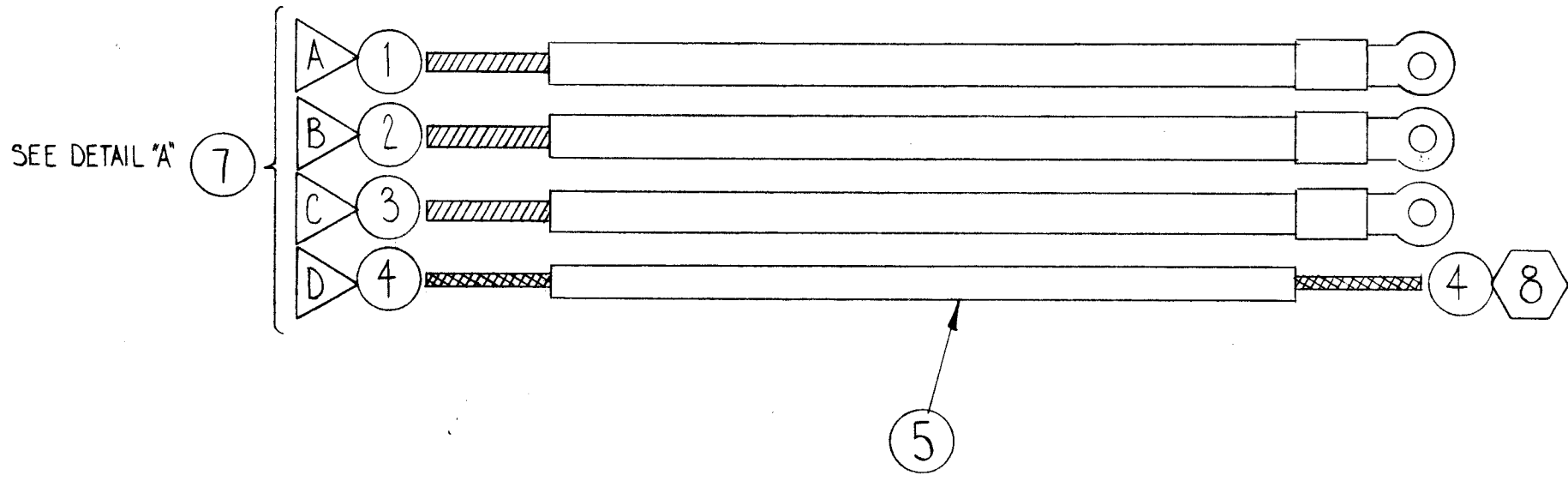
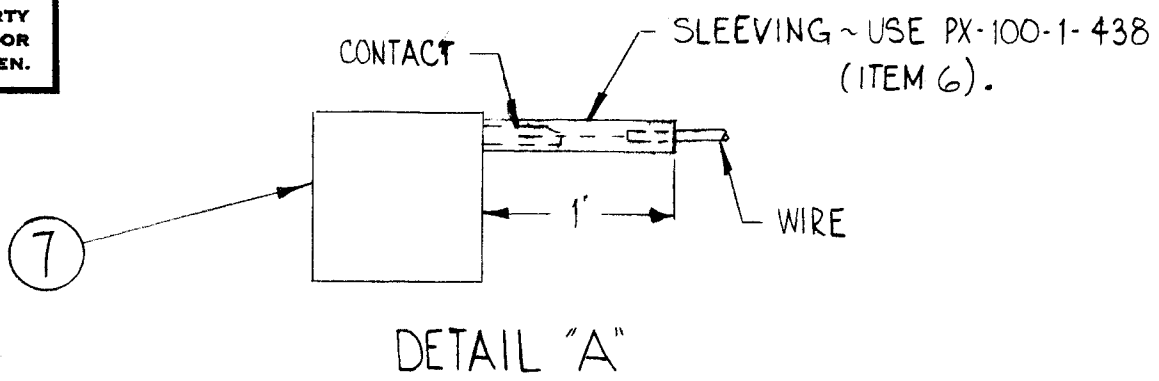


CA-816

THE CONTENTS OF THIS DRAWING ARE THE EXCLUSIVE PROPERTY OF THE TECHNICAL MATERIEL CORP. ITS UNAUTHORIZED USE OR REPRODUCTION IN WHOLE OR IN PART IS STRICTLY FORBIDDEN.



TMC PART NO.	ITEM 7	REQ/UNIT
CA-816-1	MS3102A32-17S	1
CA-816-2	MS3102A32-17P	1

~ SYMBOL DENOTES ~

- ITEM NOS.
- LUGS
- PINS

9	BS-100	SOLDER, SOFT	
1	8	TE-156-32952	SOLDERLESS, TERMINAL
	7	SEE CHART	CONNECTOR, PLUG
	6	PX-100-1-438	SLEEVING, INSULATION . . . . BLACK
	5	PX-100-1-263	SLEEVING, INSULATION . . . . BLACK
1	4	WL-103-4	BRAID, WIRE, FLAT
1	3	CA-793-7-0-4.5	CABLE ASS'Y, JUMPER
1	2	CA-793-6-0-4.5	CABLE ASS'Y, JUMPER
1	1	CA-793-5-0-4.5	CABLE ASS'Y, JUMPER

REQ. ITEM	PART NO.	F. BUDETTI	DESCRIPTION	SYMBOL
<b>THE TECHNICAL MATERIEL CORP.</b> MAMARONECK, NEW YORK				
CABLE ASS'Y, BLOWER CONTACT JUMPER				
MATERIAL				
		W.A. FRANCO	W.F.	RIC
TYPE & TEMPER		HEAT TREAT. SPEC.	DRAWN	CHECKED
			CA-816	○
FINISH & SPEC. NO.		ELEC. DES. APP.	MECH. DES. APP.	

○	ORIGINAL RELEASE FOR PRODUCTION	5-13-64	0	A.M.		
X1	ITEMS 1,2,3 WERE 6" LONG	4-20-64				
SYM	DESCRIPTION	DATE	CH. NO.	DRAFTS	CHECKER	ENG. APP.
UNLESS OTHERWISE SPECIFIED:		SCALE:				
DIMENSIONS ARE IN INCHES		MAXIMUM ALLOWABLE TOLERANCES HAVE BEEN DETERMINED AND ANY DEVIATIONS WILL BE CAUSE FOR REJECTION.				
TOLERANCES ON FRACTIONS ± 1/64 DECIMALS ± .005 ANGLES ± 1/2°		REMOVE ALL BURRS AND SHARP EDGES				
CODE A		GPT-200K	AX-393	A-2764	9-6-63	
		REQ. PER UNIT	MODEL	SECTION	ASSY. NO.	DATE
		USED ON				