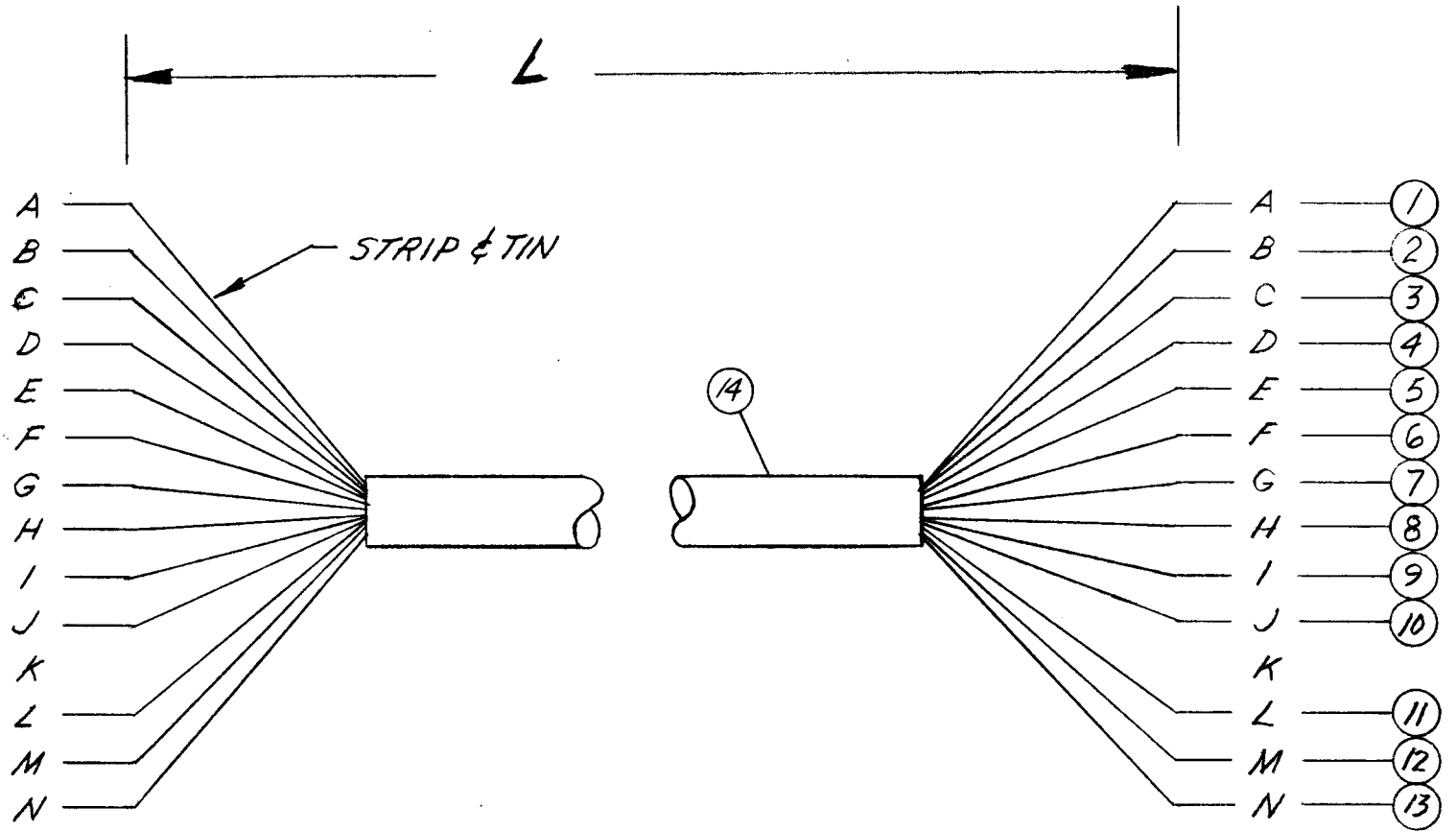


CA-647



CA-647-3-7
 BASIC TMC PART NO. LENGTH IN FEET & INCHES
 EX. -3-7 = 3 FT. 7 IN.

NOTE: THIS DWG. IS THE BLANK WIRE DWG. FOR CA-346. FOR SPARE PARTS ONLY

NOTICE TO PERSONS RECEIVING THIS DRAWING

THE TECHNICAL MATERIEL CORPORATION claims proprietary right in the material disclosed hereon. This drawing is issued in confidence for engineering information only and may not be reproduced or used to manufacture anything shown hereon without permission from THE TECHNICAL MATERIEL CORPORATION to the user. This drawing is loaned for mutual assistance and is subject to recall at any time.

Property of:
 THE TECHNICAL MATERIEL CORPORATION
 MAMARONECK, NEW YORK

14	PX-100-1-.375	INSULATION, SLEEVING	BLK.
13	MWC16(19)U93	CABLE, INSULATED	WHITE ORANGE
12	MWC18(16)94		WHITE YELLOW
11	MWC18(16)U0		BLK.
10	MWC16(19)U6		BLUE
9	MWC18(16)U-96		WHITE BLUE
8	MWC22(7)U-2		RED
7	MWC22(7)U-PINK		PINK
6	MWC16(19)U-9		WHITE
5	MWC18(16)U-8		GREY
4	MWC18(16)U-7		VIOLET
3	MWC16(19)U-90		WHITE BLACK
2	MWC16(19)U-91		WHITE BRN.
1	MWC16(19)U-1	CABLE, INSULATED	BRN.

REQ. ITEM	PART NO.	DESCRIPTION	SYMBOL
		THE TECHNICAL MATERIEL CORP. MAMARONECK, NEW YORK	
		CABLE, SPECIAL PURPOSE	
		MATERIAL	
		TYPE & TEMPER	HEAT TREAT. SPEC.
		DRAWN	CHECKER
		FINAL APPROVAL	
		FINISH & SPEC. NO.	ELEC. DES. APP. MECH. DES. APP.

SYM	DESCRIPTION	DATE	CH. NO.	DRAFTS	CHECKER	ENG. APP.
UNLESS OTHERWISE SPECIFIED: DIMENSIONS ARE IN INCHES TOLERANCES ON FRACTIONS ± 1/64 DECIMALS ± .005 ANGLES ± 1/2°		SCALE: MAXIMUM ALLOWABLE TOLERANCES HAVE BEEN DETERMINED AND ANY DEVIATIONS WILL BE CAUSE FOR REJECTION. REMOVE ALL BURRS AND SHARP EDGES				
REQ. PER UNIT	MODEL	SECTION	ASS'Y. NO.	DATE	USED ON	