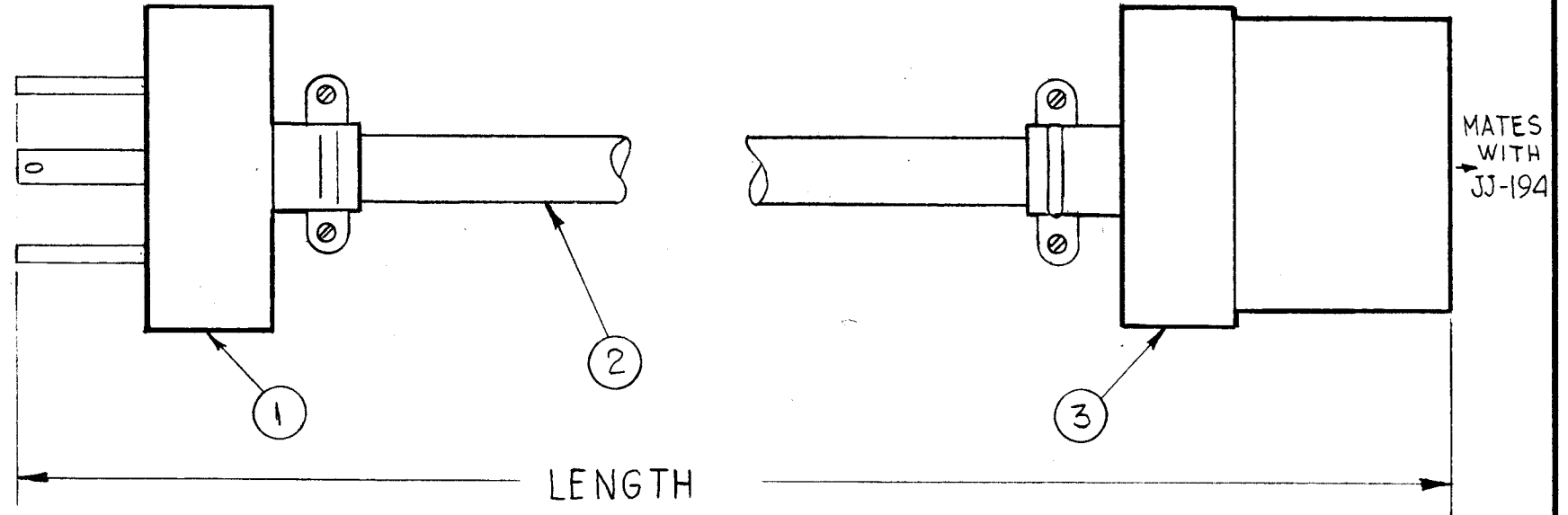
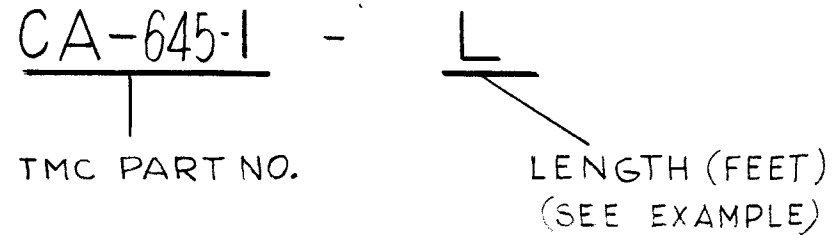


CA-645	TMC PART NO.	ITEM 1	ITEM 2	ITEM 3
	CA-645-1	PL-135-NG	WI-121-9	PL-134-NG



TYPE DESIGNATION AS FOLLOWS



EXAMPLE
 CA-645-1-10 CABLE ASSEMBLY, 10 FEET LONG
 CA-645-1-5-6 " , 5 FEET, 6 INCHES LONG

NOTICE TO PERSONS RECEIVING THIS DRAWING

THE TECHNICAL MATERIEL CORPORATION claims proprietary right in the material disclosed hereon. This drawing is issued in confidence for engineering information only and may not be reproduced or used to manufacture anything shown hereon without permission from THE TECHNICAL MATERIEL CORPORATION to the user. This drawing is loaned for mutual assistance and is subject to recall at any time.

Property of:
 THE TECHNICAL MATERIEL CORPORATION
 MAMARONECK, NEW YORK

SYM	DESCRIPTION	DATE	CH. NO.	DRAFTS	CHECKER	ENG. APP.
UNLESS OTHERWISE SPECIFIED:		SCALE: DO NOT SCALE				
DIMENSIONS ARE IN INCHES		MAXIMUM ALLOWABLE TOLERANCES HAVE BEEN DETERMINED AND ANY DEVIATIONS WILL BE CAUSE FOR REJECTION.				
TOLERANCES ON FRACTIONS ± 1/64 DECIMALS ± .005 ANGLES ± 1/2°		REMOVE ALL BURRS AND SHARP EDGES				
REQ. PER UNIT	MODEL	SECTION	ASS'Y. NO.	DATE	USED ON	

REQ. ITEM	PART NO.	DESCRIPTION			SYMBOL
		THE TECHNICAL MATERIEL CORP. MAMARONECK, NEW YORK			
STOCK SIZE		CABLE ASSEMBLY, POWER 3 CONDUCTOR			
MATERIAL		GD.L.	J.D.	Q.S.	
TYPE & TEMPER	HEAT TREAT. SPEC.	DRAWN	CHECKER	FINAL APPROVAL	
		aa	MC	CA-645	
FINISH & SPEC. NO.		ELEC. DES. APP.	MECH. DES. APP.		