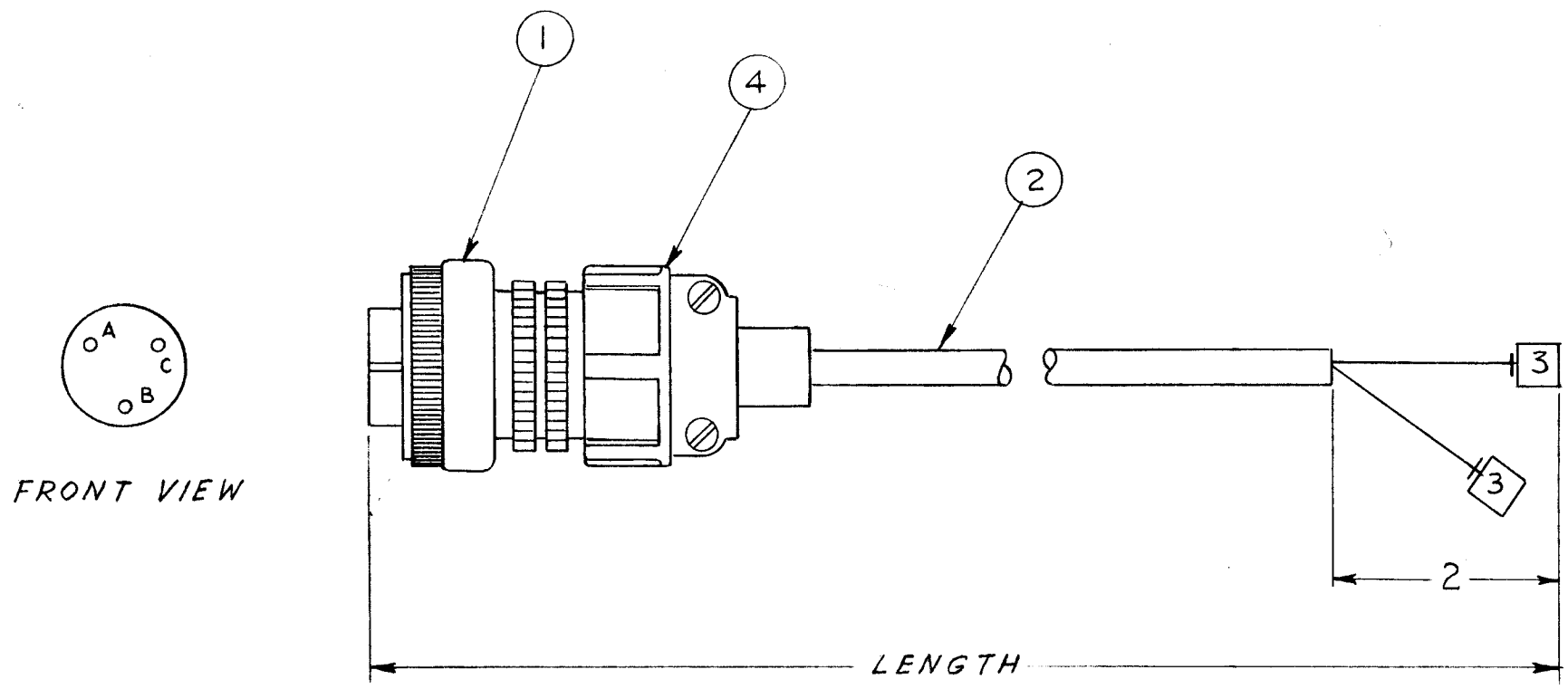


CA-607

TMC PART#	LENGTH
CA-607-1	66"
CA-607-2	78"

COLOR CABLE CODE	
PIN	COLOR OF CABLE
A	WHITE
B	BLACK



NOTICE TO PERSONS RECEIVING THIS DRAWING

THE TECHNICAL MATERIEL CORPORATION claims proprietary right in the material disclosed hereon. This drawing is issued in confidence for engineering information only and may not be reproduced or used to manufacture anything shown hereon without permission from THE TECHNICAL MATERIEL CORPORATION to the user. This drawing is loaned for mutual assistance and is subject to recall at any time.

Property of:
 THE TECHNICAL MATERIEL CORPORATION
 MAMARONECK, NEW YORK

X	6	BS100	SOLDER, TIN ALY	
1	5	MS3420-6A	BUSHING, RUBBER	
1	4	MS-3057-6	CLAMP, CABLE	
2	3	TE-120-2	SPADE, LUG	
X	2	WI-130-2-20 ^(see Table)	CABLE, MUTI-CONDUCTOR shielded	
1	1	MS-3106A-145-15	CONNECTOR, PLUG (Female)	P-103

SYM	DESCRIPTION	DATE	CH. NO.	DRAFTS	CHECKER	ENG. APP.
C	ON B/M ADDED ITS. 5 & 6; IT. 4 WAS MS 3057-6A	2-24-66	15743	HUA	JOB	[Signature]
B	CA-607-2 ADDED TO CHART	1-9-63	7977	[Signature]	[Signature]	[Signature]
A	ITEM 5 DELETED WAS MS-3420-6 ITEM 4 WAS MS-3057-6	3-23-61	4446	[Signature]	[Signature]	[Signature]

UNLESS OTHERWISE SPECIFIED:
 DIMENSIONS ARE IN INCHES
 TOLERANCES ON FRACTIONS ± 1/64 DECIMALS ± .005 ANGLES ± 1/2°

SCALE:
 MAXIMUM ALLOWABLE TOLERANCES HAVE BEEN DETERMINED AND ANY DEVIATIONS WILL BE CAUSE FOR REJECTION. REMOVE ALL BURRS AND SHARP EDGES

1	ATS-2(50/70)			2-25-61
REQ. PER UNIT	MODEL	SECTION	ASS'Y. NO.	DATE

REQ.	ITEM	PART NO.	DESCRIPTION	SYMBOL
THE TECHNICAL MATERIEL CORP. MAMARONECK, NEW YORK				
STOCK SIZE				
TRANSMITTER INTERLOCK				
CABLE				
MATERIAL				
TYPE & TEMPER		HEAT TREAT. SPEC.	DRAWN	CHECKER
			RK	[Signature]
FINISH & SPEC. NO.		ELEC. DES. APP.	MECH. DES. APP.	
				CA-607