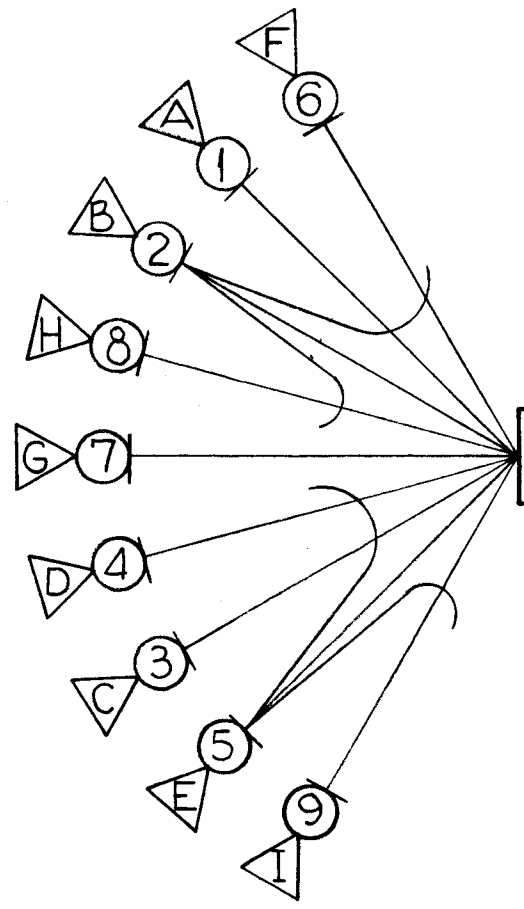
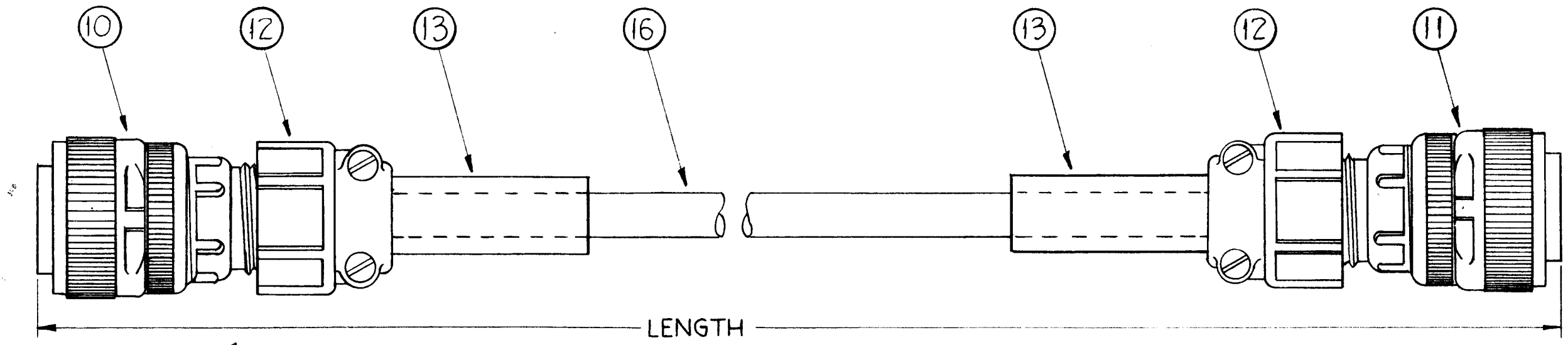
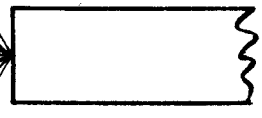


CA-601 A



BOTH ENDS THE SAME.



NOTICE TO PERSONS RECEIVING THIS DRAWING

THE TECHNICAL MATERIEL CORPORATION claims proprietary right in the material disclosed hereon. This drawing is issued in confidence for engineering information only and may not be reproduced or used to manufacture anything shown hereon without permission from THE TECHNICAL MATERIEL CORPORATION to the user. This drawing is loaned for mutual assistance and is subject to recall at any time.

Property of:
THE TECHNICAL MATERIEL CORPORATION
MAMARONECK, NEW YORK

NOMENCLATURE SHALL BE IN FOLLOWING FORM:

CA-601 - 1 - 5
 TMC PART NO. LENGTH IN FT. LENGTH IN INCHES
 1 = 1 ft. 5 = 5 IN.

X	16	PX-100-1-375	Sleeving, 3/8 I.D.	
X	15	BS-100	Solder, Soft	
X	14	CD-104-MW	Cord, Lacing	
2	13	MS-3420-10A	Bushing, Cable	
2	12	MS-3057-12	Clamp, Connector	
1	11	MS-3106B-20-275	Connector, Plug, Female	
1	10	MS-3106B-20-27P	Connector, Plug, Male	
X	9	MWC22(7)SJ3	Cable, Shielded, Jacketed	Orange
X	8	↑ SJ9	Cable, Shielded, Jacketed	White
X	7	U6	Wire, Electrical, Insulated	Blue
X	6	SJ8	Cable, Shielded, Jacketed	Grey
X	5	U0	Wire, Electrical, Insulated	Black
X	4	SJ7	Cable, Shielded, Jacketed	Violet
X	3	SJ6	Cable, Shielded, Jacketed	Blue
X	2	↓ U0	Wire, Electrical, Insulated	Black
X	1	MWC22(7)SJ5	Cable, Insulated, Shielded	Green

REQ.	ITEM	PART NO.	DESCRIPTION	SYMBOL
THE TECHNICAL MATERIEL CORP. MAMARONECK, NEW YORK				
CABLE, INTERCONNECT				
SBT-1K				
MATERIAL				
STOCK SIZE				
FINISH & SPEC. NO.				
TYPE & TEMPER HEAT TREAT. SPEC.				
DRAWN CHECKER FINAL APPROVAL				
ELEC. DES. APP. MECH. DES. APP.				

SYM	DESCRIPTION	DATE	CH. NO.	DRAFTS	CHECKER	ENG. APP.
A	IT. 1 THRU 9 PART NO. & DESCIP. UPDATED MODEL WAS "KIT-1"	5.27.64	11462	KB	@	[Signature]

UNLESS OTHERWISE SPECIFIED:
 DIMENSIONS ARE IN INCHES
 TOLERANCES ON FRACTIONS ± 1/64 DECIMALS ± .005 ANGLES ± 1/2°

SCALE:
 MAXIMUM ALLOWABLE TOLERANCES HAVE BEEN DETERMINED AND ANY DEVIATIONS WILL BE CAUSE FOR REJECTION. REMOVE ALL BURRS AND SHARP EDGES

1	KIT-101	1-24-61
REQ. PER UNIT	MODEL	SECTION ASS'Y. NO. DATE
USED ON		