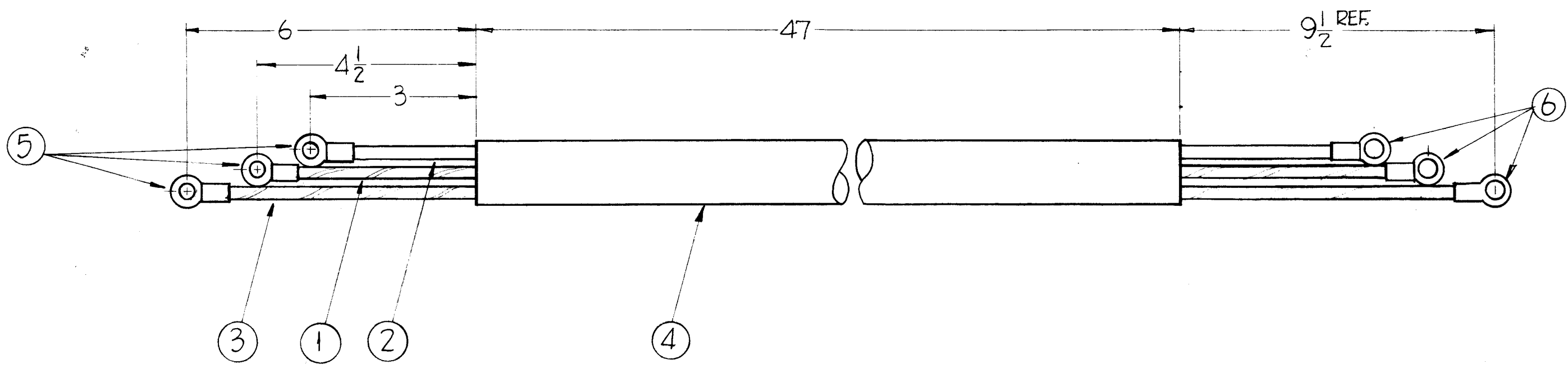


CA-583



NOTICE TO PERSONS RECEIVING THIS DRAWING

THE TECHNICAL MATERIEL CORPORATION claims proprietary right in the material disclosed hereon. This drawing is issued in confidence for engineering information only and may not be reproduced or used to manufacture anything shown hereon without permission from THE TECHNICAL MATERIEL CORPORATION to the user. This drawing is loaned for mutual assistance and is subject to recall at any time.

Property of:

THE TECHNICAL MATERIEL CORPORATION
MAMARONECK, NEW YORK

3	6	TE-155-34171	LUG, SOLDERLESS	
3	5	TE-155-34170	LUG, SOLDERLESS	
47"	4	PX-100-1-500	SLEEVING, INSULATION	BLACK
62 1/2"	3	HWC10(37)B9Z	WIRE, INSULATED	WH/RED
58"	2	HWC10(37)B9	" "	WHITE
57"	1	HWC10(37)B90	WIRE, INSULATED	WH/BIK
REQ.	ITEM	PART NO.	DESCRIPTION	SYMBOL
STOCK SIZE			THE TECHNICAL MATERIEL CORP. MAMARONECK, NEW YORK	
MATERIAL			CABLE, RA TRANSFORMER BOX TO TRANSFORMER	
TYPE & TEMPER		HEAT TREAT. SPEC.	DRAWN	CHECKER
FINISH & SPEC. NO.		ELEC. DES. APP.	MECH. DES. APP.	FINAL APPROVAL
				CA-583

SYM	DESCRIPTION	DATE	CH. NO.	DRAFTS	CHECKER	ENG. APP.
UNLESS OTHERWISE SPECIFIED:		SCALE:				
DIMENSIONS ARE IN INCHES		MAXIMUM ALLOWABLE TOLERANCES HAVE BEEN DETERMINED AND ANY DEVIATIONS WILL BE CAUSE FOR REJECTION.				
TOLERANCES ON FRACTIONS ± 1/64		REMOVE ALL BURRS AND SHARP EDGES				
DECIMALS ± .005		ANGLES ± 1/2°				

REQ. PER UNIT	MODEL	SECTION	ASS'Y. NO.	DATE
	GPT-40KE			11-28-60
USED ON				