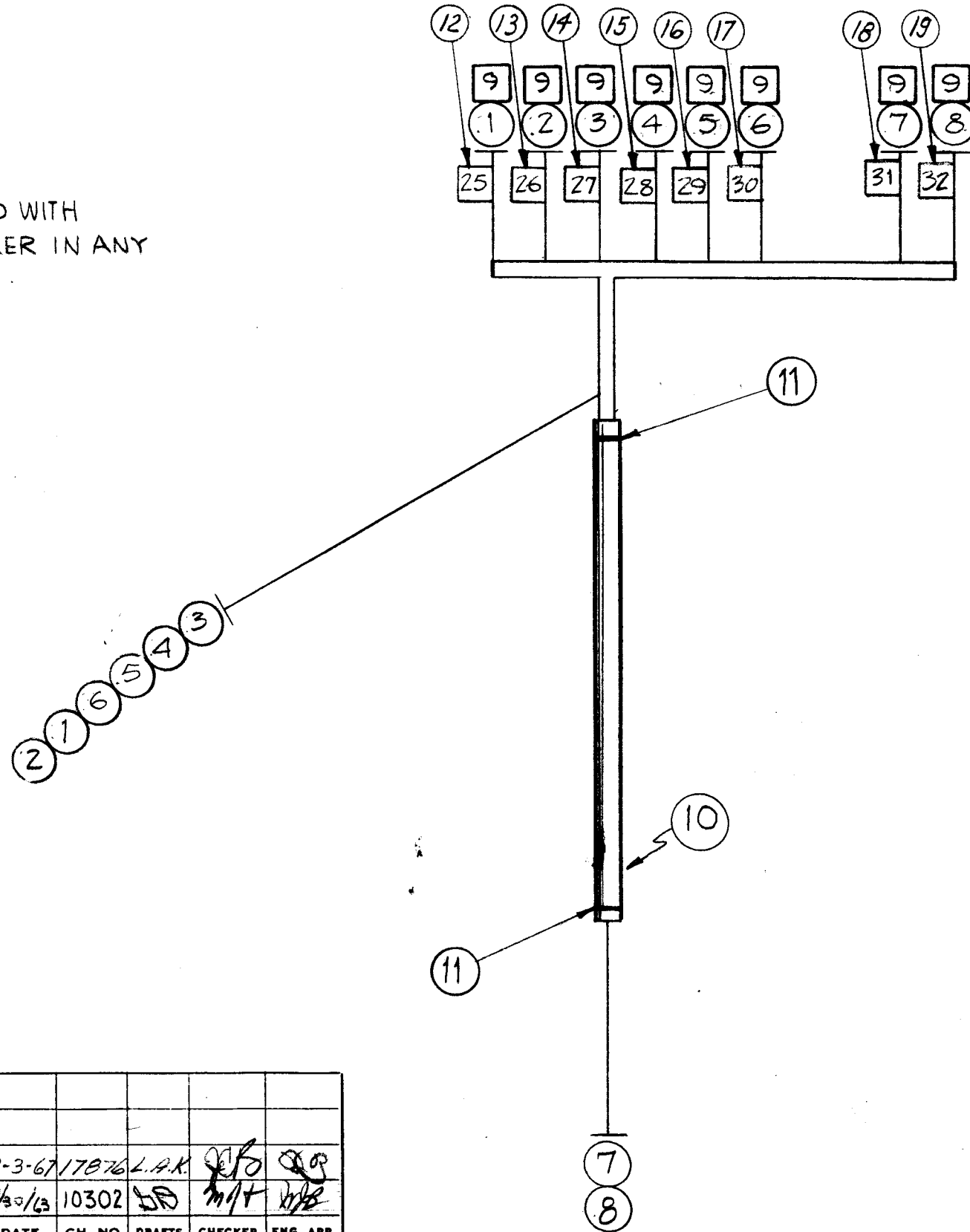


NOTE:

CABLE TO BE IDENTIFIED WITH A NON-METALLIC MARKER IN ANY CONVENIENT LOCATION



NOTICE TO PERSONS RECEIVING THIS DRAWING

THE TECHNICAL MATERIEL CORPORATION claims proprietary right in the material disclosed hereon. This drawing is issued in confidence for engineering information only and may not be reproduced or used to manufacture anything shown hereon without permission from THE TECHNICAL MATERIEL CORPORATION to the user. This drawing is loaned for mutual

1	19	LA101-32	WIRE MARKER	
1	18	LA101-31		
1	17	LA101-30		
1	16	LA101-29		
1	15	LA101-28		
1	14	LA101-27		
1	13	LA101-26		
1	12	LA-101-25	WIRE MARKER	
	11	CD-101-1MW	CORE, LACING	
	10	PX-100-1-133	SLEEVING	
8	9	TE-120-2	SPADE, LUG	
	8	MWC22(7)UP Pnk	WIRE, ELECTRICAL, INSULATED	Pink
	7		96	Wh./BLK
	6		94	Wh./Yell.
	5		4	Yellow
	4		9	White
	3		90	Wh./BLK
	2		97	Wh./Purple
	1	MWC22(7)US-0	WIRE, ELECTRICAL, INSULATED	Wh./BLK.
REQ. ITEM	PART NO.		DESCRIPTION	SYMBOL
THE TECHNICAL MATERIEL CORP. MAMARONECK, NEW YORK				
STOCK SIZE				
MATERIAL				
TYPE & TEMPER		HEAT TREAT. SPEC.	DRAWN	CHECKED
FINISH & SPEC. NO.		ELEC. DES. APP.	MECH. DES. APP.	CA-526 P

B	ADDED ITEMS 13 TO 19 ITEM 12 W/35 LA-101	3-3-67	17076	L.A.K.	<i>[Signature]</i>	<i>[Signature]</i>
A	REVISED & CLARIFIED PER EMN 10302	10/30/63	10302	SD	<i>[Signature]</i>	<i>[Signature]</i>
ISSUE	ITEM	CHANGED FROM	DATE	CH. NO.	DRAFTS	CHECKER
TOLERANCES		SCALE:				
DEC. DIM. ±	MAXIMUM ALLOWABLE TOLERANCES HAVE BEEN DETERMINED AND ANY DEVIATIONS WILL BE CAUSE FOR REJECTION.					
FRAC. DIM. ±	REMOVE ALL BURRS AND SHARP EDGES					
ANGULAR DIM. ±						
1	GPT-40K	A-1832	2-23-60	USED ON		
REQ. PER UNIT	MODEL	PROJECT NO.	ASS'Y. NO.	DATE		