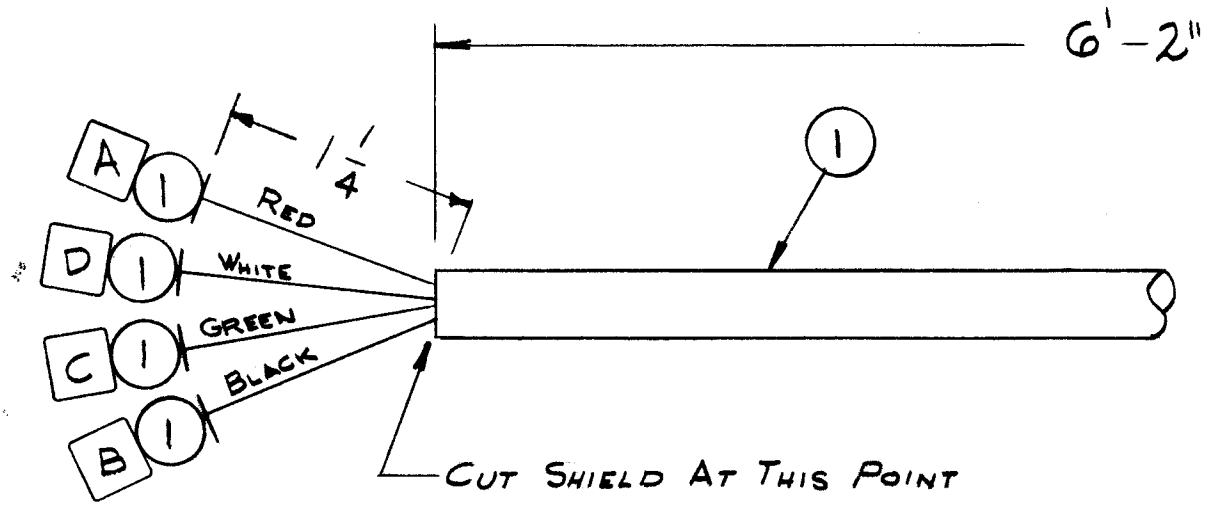
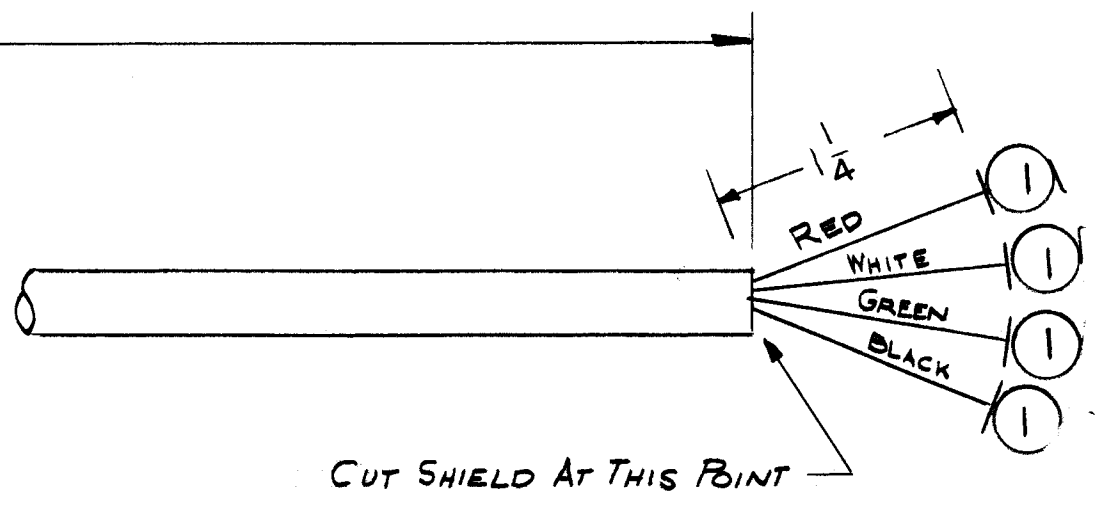


CA-511



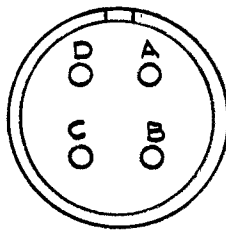
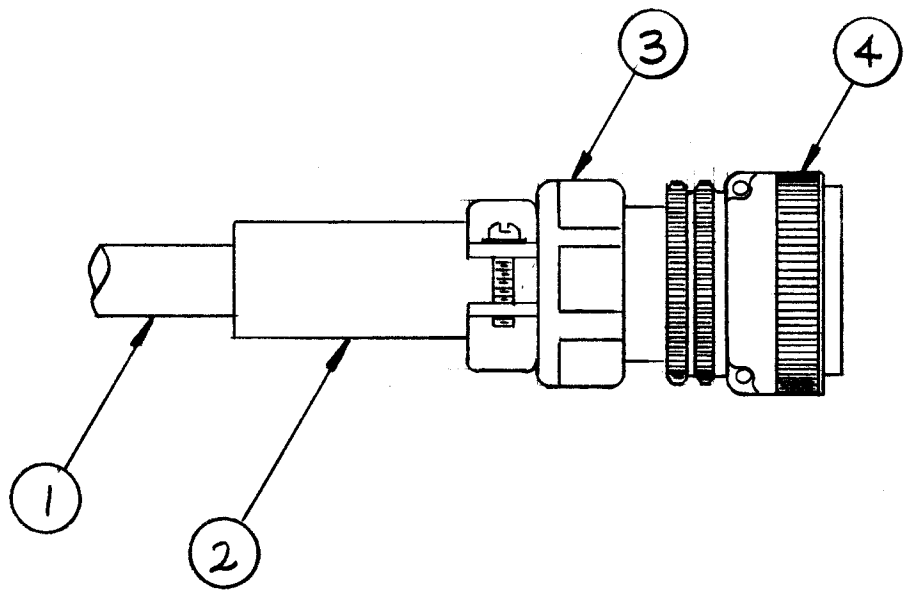
CUT PAPER ON THIS LINE AND LENGTHEN TO 6'-2"



NOTICE TO PERSONS RECEIVING THIS DRAWING

THE TECHNICAL MATERIEL CORPORATION claims proprietary right in the material disclosed hereon. This drawing is issued in confidence for engineering information only and may not be reproduced or used to manufacture anything shown hereon without permission from THE TECHNICAL MATERIEL CORPORATION to the user. This drawing is loaned for mutual assistance and is subject to recall at any time.

Property of:
THE TECHNICAL MATERIEL CORPORATION
MAMARONECK, NEW YORK



NOT USED (DELETED)
USE CA-510

Deleted
1-27-60
[Signature]

REQ.	ITEM	PART NO.	DESCRIPTION	SYMBOL
1	4	MS3106A142P	CONNECTOR, PLUG	
1	3	MS3057-6	CABLE, CLAMP	
1	2	MS3420-6A	SLEEVING, RUBBER	
77"	1	WI-130-4-18-77"	CABLE CONDUCTOR SHIELDED	
THE TECHNICAL MATERIEL CORP. MAMARONECK, NEW YORK				
SWR-INTERCONNECT CABLE				
MATERIAL				
TYPE & TEMPER HEATTREAT. SPEC. DRAWN CHECKED FINAL APPROVAL				
FINISH & SPEC. NO. ELEC. DES. APP MECH. DES. APP				

ISSUE	ITEM	CHANGED FROM	DATE	CH. NO.	DRAFTS	CHECKER	ENG. APP.
TOLERANCES			SCALE:				
DEC. DIM. ±			MAXIMUM ALLOWABLE TOLERANCES HAVE BEEN DETERMINED AND ANY DEVIATIONS WILL BE CAUSE FOR REJECTION: REMOVE ALL BURRS AND SHARP EDGES				
FRAC. DIM. ±							
ANGULAR DIM. ±							

REQ. PER UNIT	MODEL	PROJECT NO.	ASSY. NO.	DATE
1	SBT-1K A			12-17-59
1	SBT-1K B			12-17-59
1	SBT-1K C			12-17-59
1	SBT-1K D			12-17-59
USED ON				