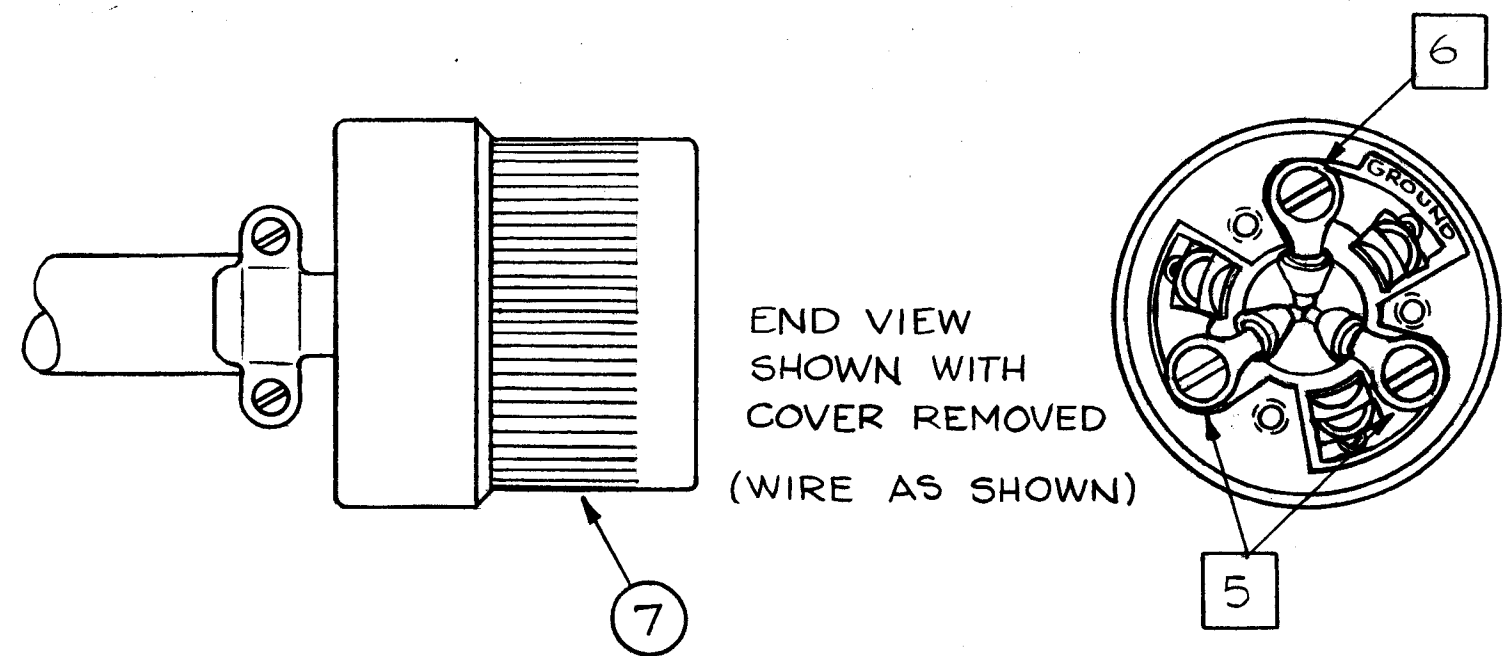
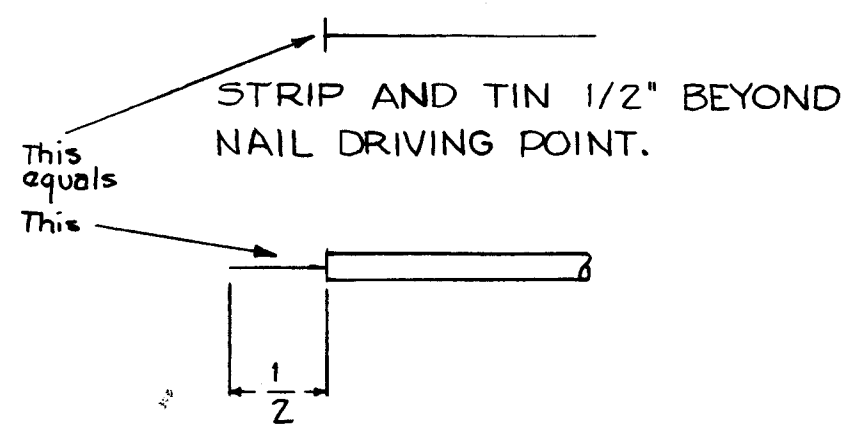
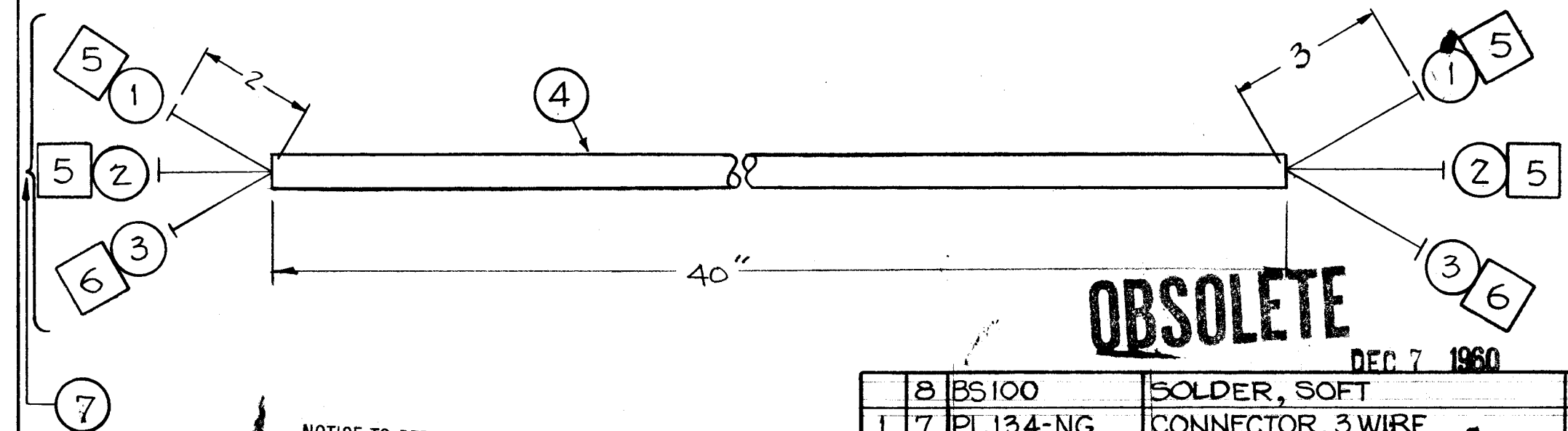


CA-492 A



END VIEW SHOWN WITH COVER REMOVED (WIRE AS SHOWN)



OBsolete

DEC 7 1960

NOTICE TO PERSONS RECEIVING THIS DRAWING

THE TECHNICAL MATERIEL CORPORATION claims proprietary right in the material disclosed hereon. This drawing is issued in confidence for engineering information only and may not be reproduced or used to manufacture anything shown hereon without permission from THE TECHNICAL MATERIEL CORPORATION to the user. This drawing is loaned for mutual assistance and is subject to recall at any time.

Property of:
THE TECHNICAL MATERIEL CORPORATION
MAMARONECK, NEW YORK

REQ. ITEM	PART NO.	DESCRIPTION	SYMBOL
8	BS100	SOLDER, SOFT	
1	7	PL134-NG	CONNECTOR, 3 WIRE
2	6	TE-159-34161	TERMINAL, SOLDERLESS
4	5	TE-155-34170	TERMINAL, SOLDERLESS
40"	4	PX100-1-625	INSULATION, SLEEVING Black
46	3	HWC14(19)J9	CABLE, INSULATED (FIBER GLASS) White
46	2	HWC10(37)J90	CABLE, INSULATED (FIBER GLASS) White Black
46	1	HWC10(37)J9	CABLE, INSULATED (FIBER GLASS) White

THE TECHNICAL MATERIEL CORP. MAMARONECK, NEW YORK	
CABLE, PS4 TO POWER PANEL	
J.C. Biele	JMB
DRAWN	CHECKED
FINAL APPROVAL	
CA-492 A	

ISSUE ITEM	CHANGED FROM	DATE	CH. NO.	DRAFTS	CHECKER	ENG. APP.
	IT. 1 WAS MWC10(37) U9 IT. 2 WAS MWC10(37) U9 IT. 3 WAS MWC14(19) U9	9/30/59	1354	amc	JMB	JMB

DEC. DIM. ±	MAXIMUM ALLOWABLE TOLERANCES HAVE BEEN DETERMINED AND ANY DEVIATIONS WILL BE CAUSE FOR REJECTION. REMOVE ALL BURRS AND SHARP EDGES
FRAC. DIM. ±	
ANGULAR DIM. ±	

REQ. PER UNIT	MODEL	PROJECT NO.	ASS'Y. NO.	DATE
1	SBT-1K			9-24-59
USED ON				