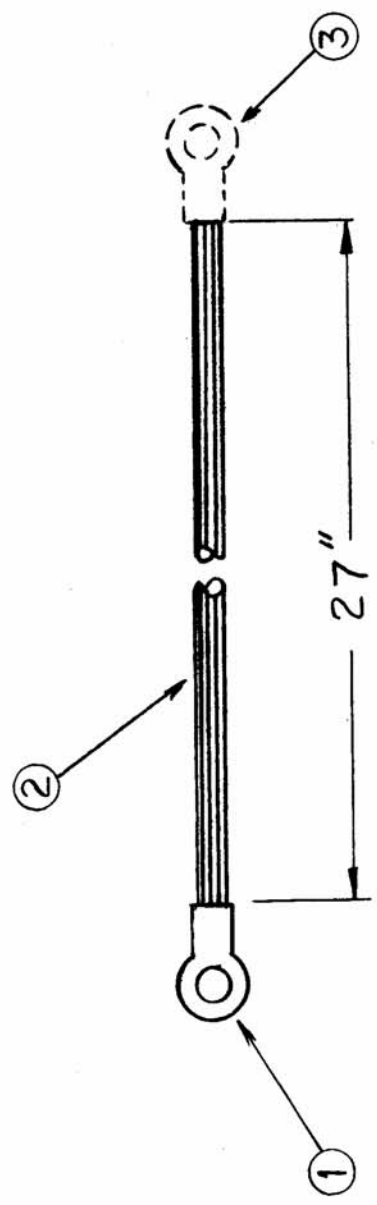


CA-484 C

REQ. PER UNIT	1
MODEL	TU-Z
ASPT. NO.	8-26-59
DATE	8-26-59

TMC PART NO	ITEM 1	ITEM 3
CA484-1	TE158-G73	H
CA484-2	TE158-G73	TE158-G73



1	3	SEE CHART	TERMINAL, SOLDERLESS
X	2	WIRE	WIRE
1	1	SEE CHART	TERMINAL, SOLDERLESS
REQ. ITEM	PART NO.	DESCRIPTION	SYMB L
		THE TECHNICAL MATERIEL CORP.	
		MAMARONECK, NEW YORK	
		ANTENNA, CABLE	
		J.C. Biele	arp
		DRAWN	CHECKED
		HEAT TREAT. SPEC.	FINAL APPR VAL
		FINISH & SPEC. NO.	CA-484 D
		ELEC. DES. APP. MECH. DES. APP.	

D	CHANGE ITEM 2 FROM M106-1 TO M106(137)490	1-4-80	Z1757	MAC	FB	
C	CHART ADDED	11/11/75	21334	CL	CL	
B	WL-106-1 WRS M104-1 TE-158-G73 WRS TE-158-304	3.17.63	11045	MTB	CL	
A	Dim. 27" WAS 30"	1/30/63	8098	G.O.C	CL	
ISSUE ITEM	CHANGED FROM	DATE	CH. NO.	DRAFTS	CHECKER	ENG. APP.
SCALE: DO NOT SCALE						
TOLERANCES						
MAXIMUM ALLOWABLE TOLERANCES HAVE BEEN DETERMINED AND ANY DEVIATIONS WILL BE CAUSE FOR REJECTION. REMOVE ALL BURRS AND SHARP EDGES						
DEC. DIM. ±						
FRAC. DIM. ±						
ANGULAR DIM. ±						