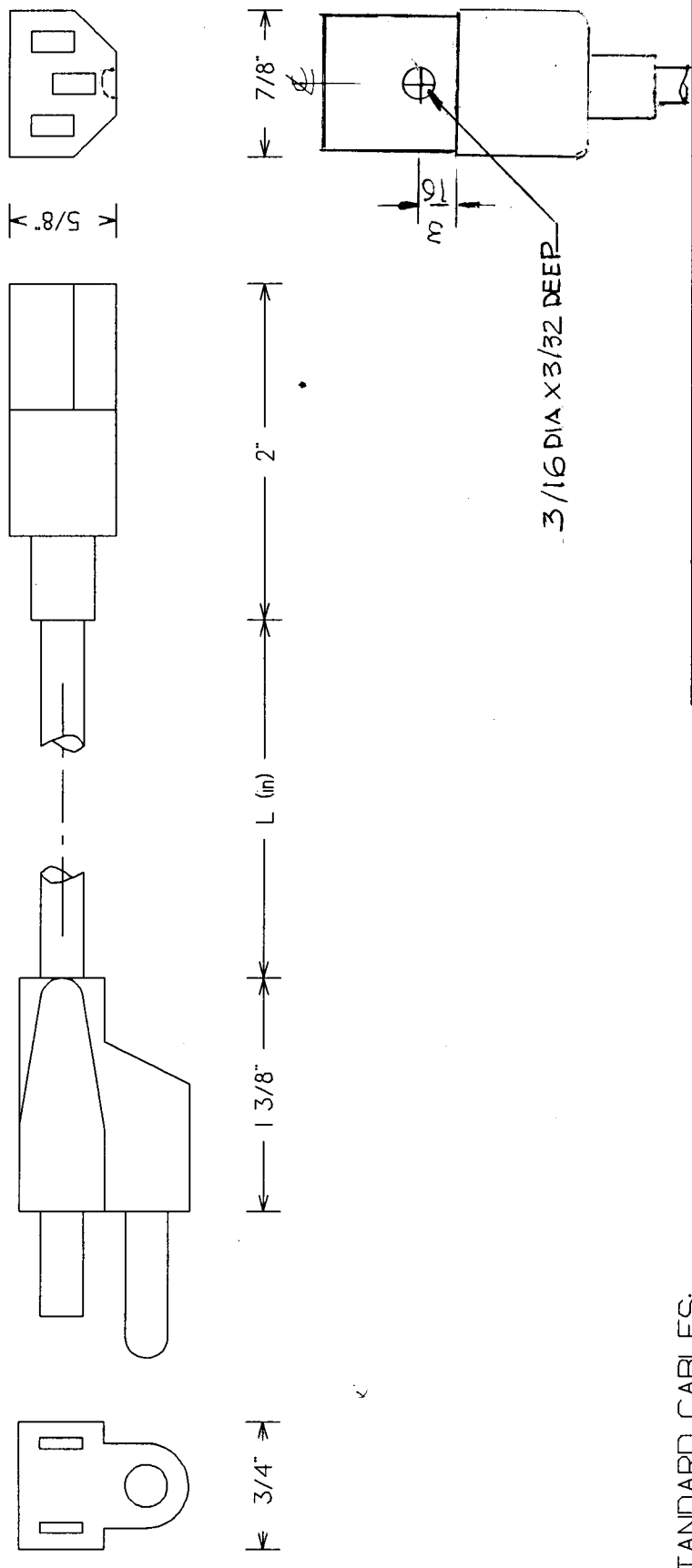


ORIGINAL DRAW 100

DRAWING CA-19006 REV. A

- NOTES:
1. "L" REPRESENTS LENGTH IN INCHES
  2. SPECIFY CABLE AS FOLLOWS: CA-19006-L (inches)
  3. CABLE IS UNSHIELDED, PVC JACKETED, 3-CONDUCTOR
  4. MODIFIED BY IMC



STANDARD CABLES:  
 Part Rating AWG Mating/JJ  
 CA1906-90 1250W/10A 18-Str JJ-370

THE TECHNICAL MATERIEL CORPORATION  
 MAMARONECK, NEW YORK 10543

DATE 8 SEP 1992 DRAWN BY N dePASQUALE APPROVED BY F BUDETTI  
 SCALE 1.0 : 1.0

CABLE, POWER, MOLDED

USED ON SPECIFICATION DRAWING  
 BSP-3 CA-19006 REV. A

GDL	CHKD	LTR	A	NOTE: A ADDED 3/16 X 3/32 DEEP HOLE AND	REVISIONS	DATE	APPROVED
						3-17-93	