

5

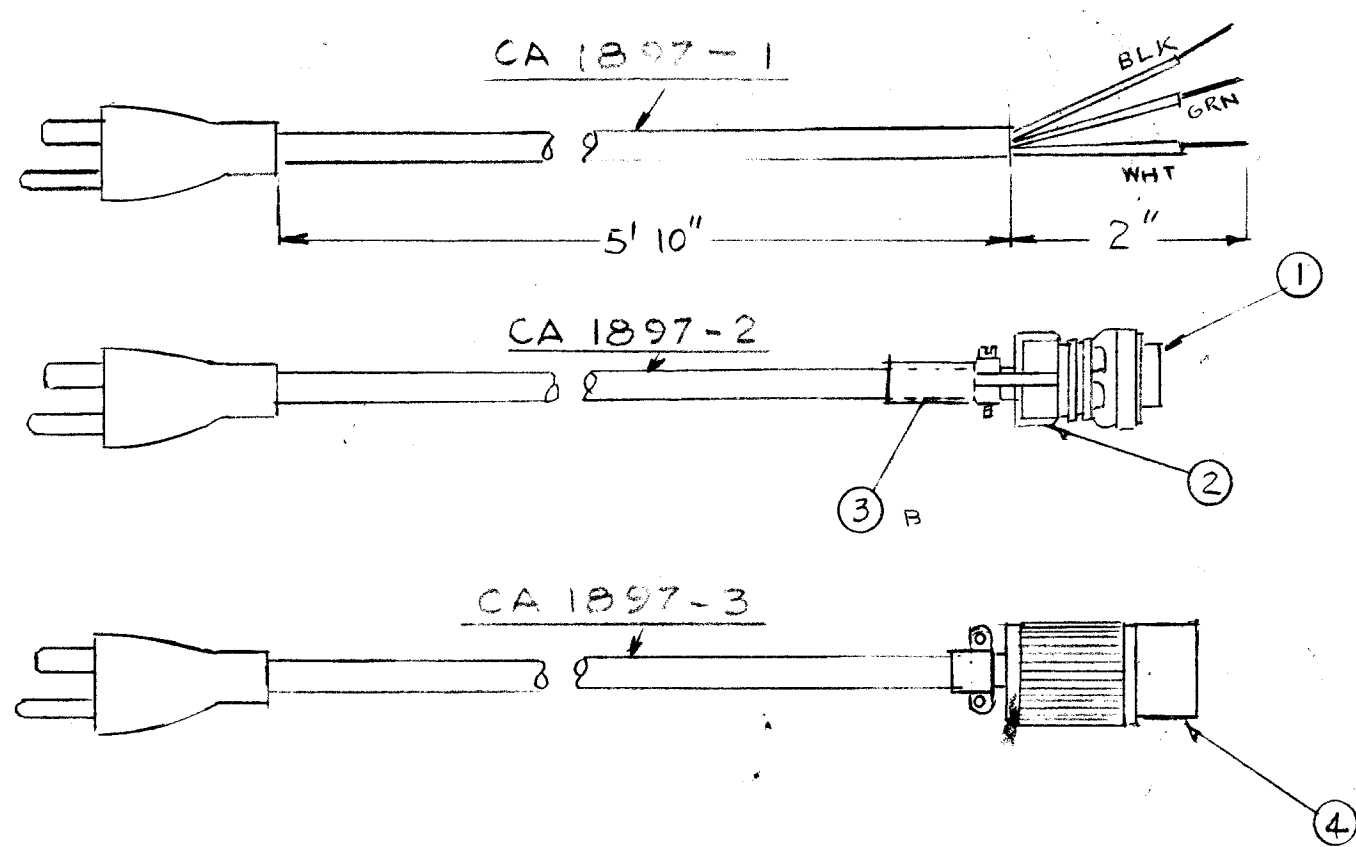
4

3

2

1

REVISIONS							
E.M.N. NO.	DRAFT	CHKD	ZONE	LTR	DESCRIPTION	DATE	APPROVED



REQ'D	ITEM	PART NUMBER	DESCRIPTION	SYM.
1	A	PL 176	CONNECTOR FPM	
1	3	MS3420-6A	BUSHING	
1	2	MS3057-6A	CLAMP, CABLE	
1	1	MS3106A-14S-75	CONN, PL, ML	

LIST OF MATERIAL

QTY / UNIT	MODEL USED ON	ASS'Y NO.
APPLICATION		
	CODE	

NOTICE TO PERSONS RECEIVING THIS DRAWING
 THE TECHNICAL MATERIEL CORPORATION claims proprietary right in the material disclosed hereon. This drawing is issued in confidence for engineering information only and may not be reproduced or used to manufacture anything shown hereon without permission from THE TECHNICAL MATERIEL CORPORATION to the user. This drawing is loaned for mutual assistance and is subject to recall at any time.

UNLESS OTHERWISE SPECIFIED DIMENSIONS ARE IN INCHES AND INCLUDE CHEMICALLY APPLIED OR PLATED FINISHES

DECIMALS: .X ± .05, .XX ± .01, .XXX ± .005
 FRACTIONS: 1/64
 TOLS. ANGLES: 0°-30'

FINAL APPROVAL: *QRB* DATE: 3/17/63
 MECH. DES. DATE: _____
 ELECT. DES. DATE: _____
 CHECKED DATE: _____
 DRAWN: G.D.L. DATE: 4/7/63

MATERIAL: _____
 FINISH: _____

THE TECHNICAL MATERIEL CORP.
MAMARONECK, NEW YORK

CABLE, LINE CORD

SIZE	CODE IDENT. NO.	DWG NO.	ISSUE
B	82679	CA 1897 -	Ø

SCALE: _____ SHEET _____ OF _____