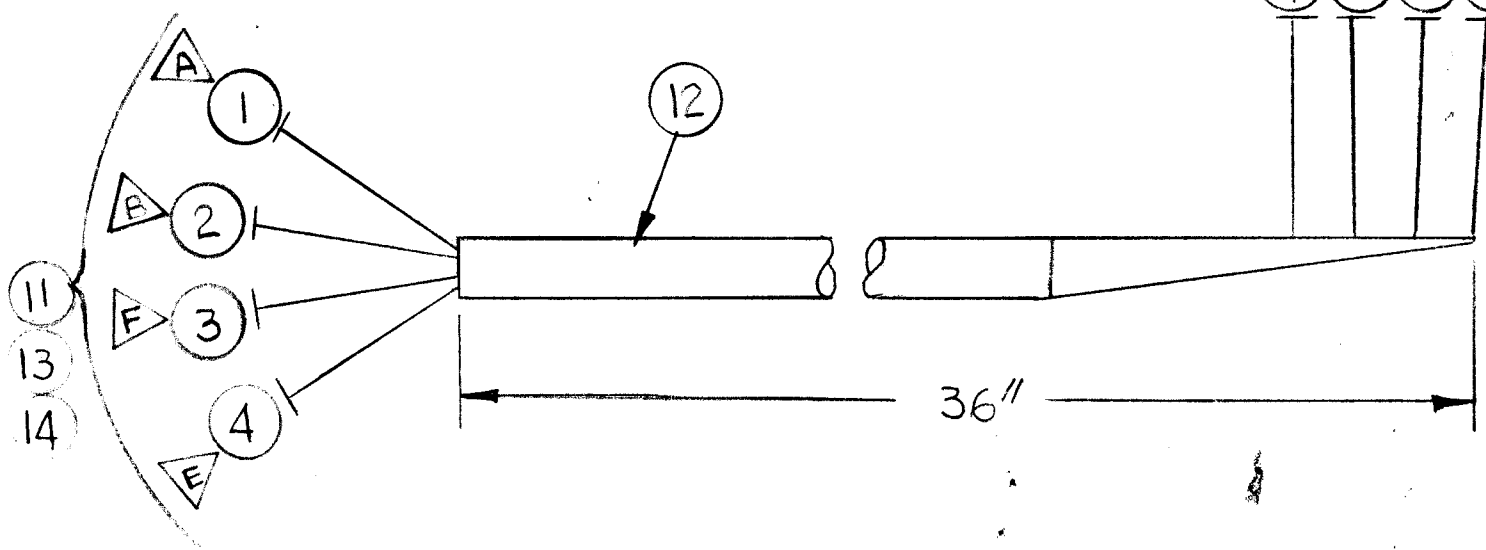
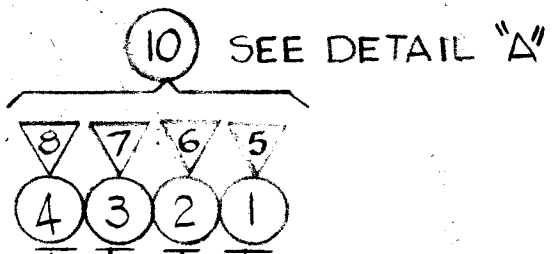
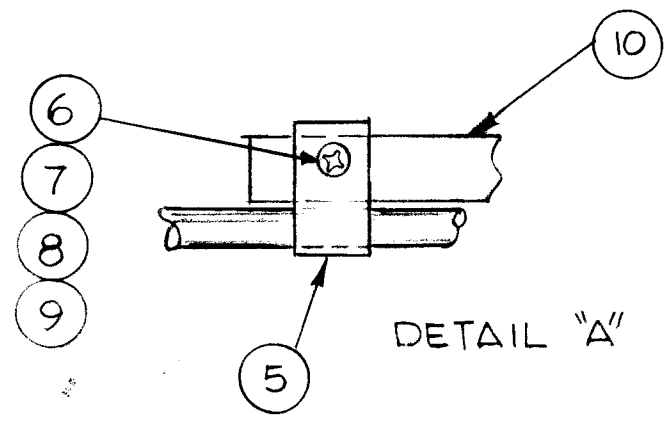


REVISIONS							
E.M.N. NO.	DRAFT	CHKD	ZONE	LTR	DESCRIPTION	DATE	APPROVED
	GDL				ORIGINAL Release	10-77	*



REQ'D	ITEM	PART NUMBER	DESCRIPTION	SYM.
1	14	MS3420-6	BUSHING	
1	13	MS3057-8A	CLAMP	
X	12	PX100 -	SLEEVING	
1	11	MS3106BN16S-1P	CONNECTOR, PLUG	
1	10	TM105-4AL	FANNING STRIP	
1	9	LWE08MRN	LOCK WASHER EXT	
1	8	FW0832BN10	FLAT WASHER	
1	7	NTH0832BN10	NUT, HEX	
1	6	SCBP0832BN7	SCREW MACHINE	
1	5	CU102-5	CLAMP	
X	4	MWC24(7)U	WIRE, ELEC. INSULATED	
X	3			
X	2			
X	1	MWC24(7)U	WIRE, ELEC. INSULATED	

LIST OF MATERIAL

QTY / UNIT	MODEL USED ON	ASS'Y NO.
APPLICATION		
CODE		

NOTICE TO PERSONS RECEIVING THIS DRAWING
 THE TECHNICAL MATERIEL CORPORATION claims proprietary right in the material disclosed hereon. This drawing is issued in confidence for engineering information only and may not be reproduced or used to manufacture anything shown hereon without permission from THE TECHNICAL MATERIEL CORPORATION to the user. This drawing is loaned for mutual assistance and is subject to recall at any time.

UNLESS OTHERWISE SPECIFIED DIMENSIONS ARE IN INCHES AND INCLUDE CHEMICALLY APPLIED OR PLATED FINISHES		FINAL APPROVAL <i>G.B.</i>	DATE <i>11/10/77</i>
MECH. DES.			DATE
ELECT. DES.			DATE
CHECKED			DATE
DRAWN <i>G.D.L.</i>			DATE <i>7-8-76</i>
MATERIAL			
FINISH			

THE TECHNICAL MATERIEL CORP. MAMARONECK, NEW YORK			
CABLE, INTERCONNECT SBGM-4			
SIZE B	CODE IDENT. NO. 82679	DWG NO. CA1805	ISSUE <i>Ø</i>
SCALE 1:1	SHEET 1 OF 1		