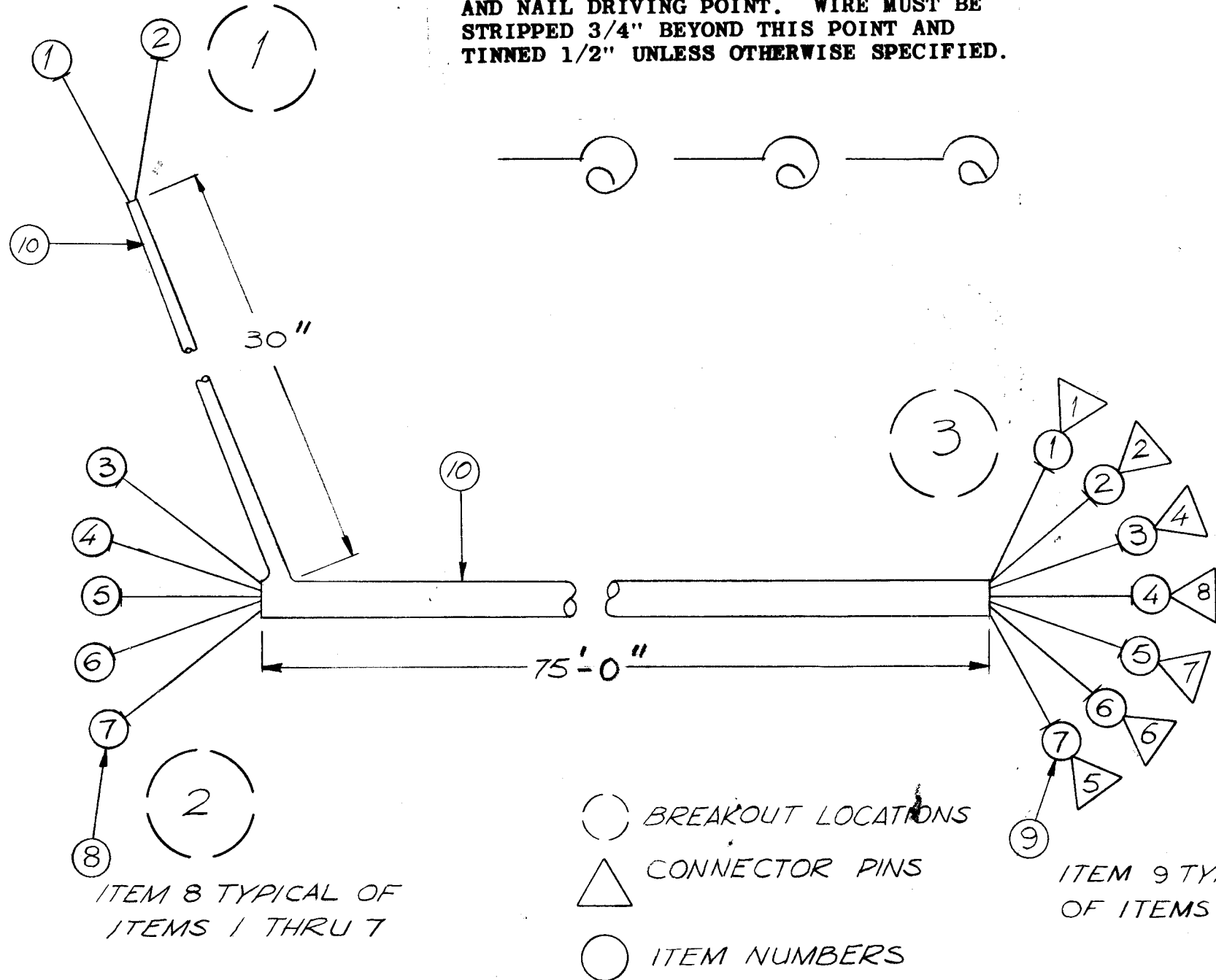


THIS SYMBOL DENOTES END OF INSULATION AND NAIL DRIVING POINT. WIRE MUST BE STRIPPED 3/4" BEYOND THIS POINT AND TINNED 1/2" UNLESS OTHERWISE SPECIFIED.



REVISIONS						
ZONE	LTR	DESCRIPTION	DATE	E.M.N.NO	DRAFT	CHKD APPD
	X	EXP RELEASE	7/17/69		GE	
	Ø	ORIGINAL RELEASE FOR PRODUCTION	4/13/70		CU	

X	11	PX100-1-186				
X	10	PX 100-1-375	INSULATION, SLEEVING ELECTRICAL			
1	9	JJ-310-4H	CONNECTOR RECEPTACLE			
7	8	TE 120-2	SPADE LUG			
X	7	MWC 20(7)U95	2	3	TB 3003-16	JJ 310-4H PIN 5
	6					-15
	5					-14
	4					-13
	3		2		TB3003-12	
	2		2	1	TB3003-3	
X	1	MWC 20(7)U1	1	3	TB 3004-1	JJ 310-4H PIN 1
REQ'D	ITEM	PART NUMBER	FROM	TO	DESCRIPTION	SYM.

LIST OF MATERIAL

1	RSBA-1	
QTY / UNIT	MODEL USED ON	ASS'Y. NO.
APPLICATION		
	CODE	

**NOTICE TO PERSONS RECEIVING THIS DRAWING**  
 THE TECHNICAL MATERIEL CORPORATION claims proprietary right in the material disclosed hereon. This drawing is issued in confidence for engineering information only and may not be reproduced or used to manufacture anything shown hereon without permission from THE TECHNICAL MATERIEL CORPORATION to the user. This drawing is loaned for mutual assistance and is subject to recall at any time.

UNLESS OTHERWISE SPECIFIED DIMENSIONS ARE IN INCHES AND INCLUDE CHEMICALLY APPLIED OR PLATED FINISHES

DECIMALS: .X ± .05, .XX ± .01, .XXX ± .005  
 FRACTIONS: 1/64, ANGLES: 0° 30'

FINISH

FINAL APPROVAL: *S. De Marco* DATE: 4-13-70  
 MECH. DES. DATE  
 ELECT. DES. DATE  
 CHECKED: *J. De* DATE: 9/5/69  
 DRAWN: *G. EVANGELIST* DATE: 7/17/69

THE TECHNICAL MATERIEL CORP.  
 MAMARONECK, NEW YORK

REMOTE AUDIO  
 SELECT CABLE

SIZE	CODE IDENT. NO.	DWG NO.	ISSUE
B	82679	CA1512	Ø
SCALE		SHEET OF	