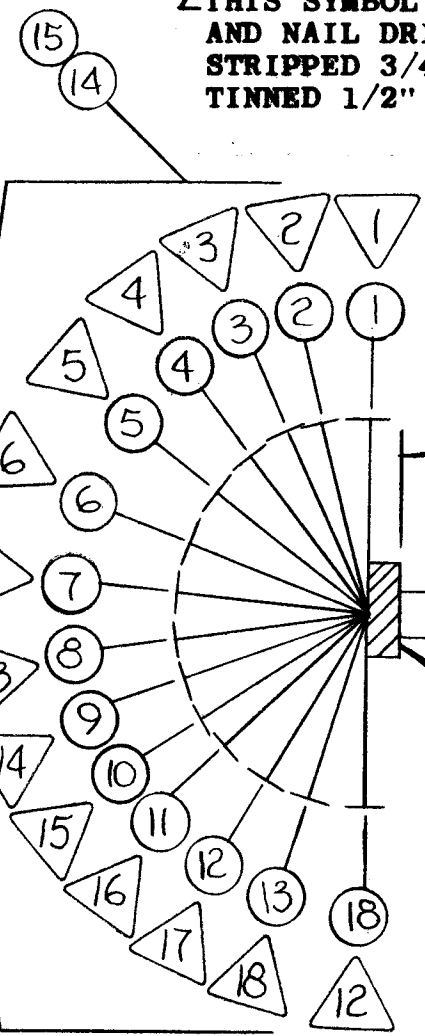
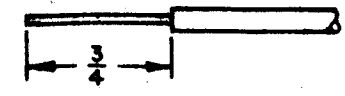
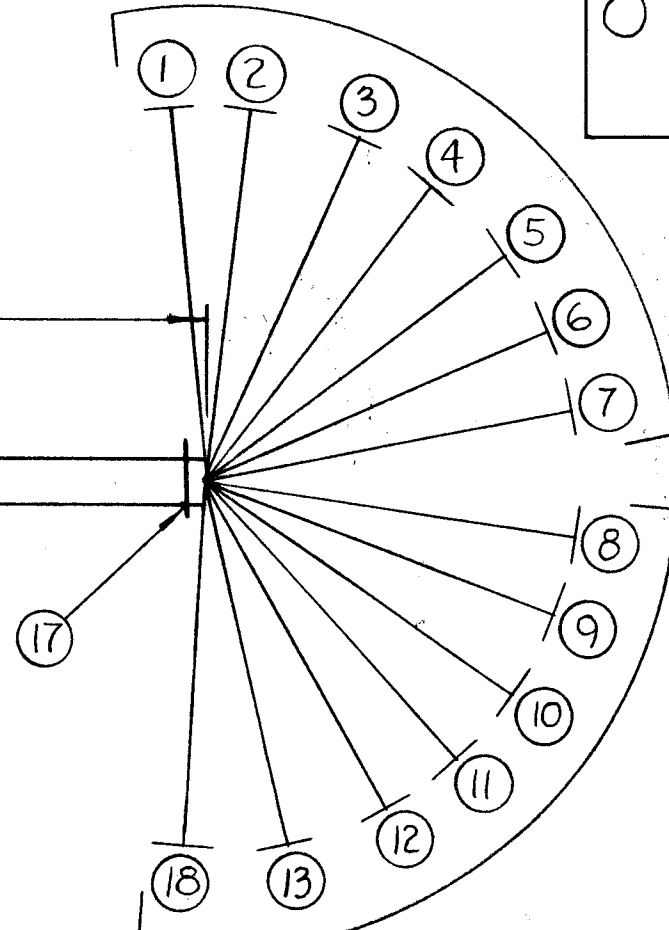


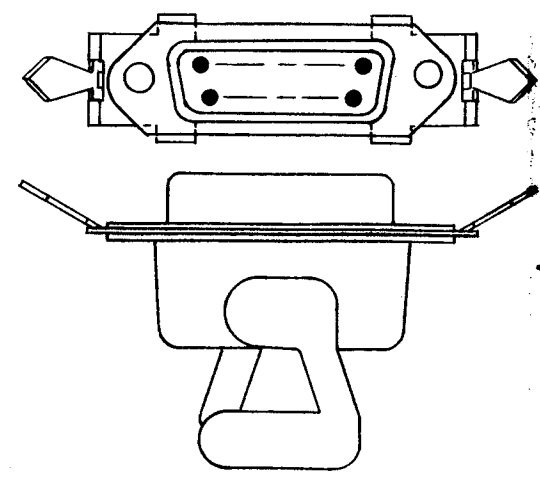
THIS SYMBOL DENOTES END OF INSULATION AND NAIL DRIVING POINT. WIRE MUST BE STRIPPED 3/4" BEYOND THIS POINT AND TINNED 1/2" UNLESS OTHERWISE SPECIFIED.



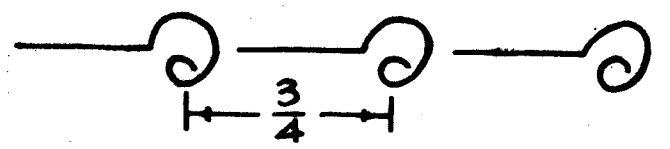
EXTEND TO ||



JJ313-24 (W/FS125)



UNLESS OTHERWISE SPECIFIED WIRES SHOULD BE PLACED IN NUMERICAL SEQUENCE AS THEY APPEAR IN ITEM COLUMN BY CATEGORY.
 1. ALL R.F. CABLES
 2. ALL SHIELDED CABLES
 3. ALL OTHERS
 SPACE LACING APPROXIMATELY 3/4" APART.



1	TSTE-10K	A5161
Q'TY./UNIT	MODEL USED ON	ASS'Y. NO.
SCALE	CODE	

THE CONTENTS OF THIS DRAWING ARE THE EXCLUSIVE PROPERTY OF THE TECHNICAL MATERIEL CORP. ITS UNAUTHORIZED USE OR REPRODUCTION IN WHOLE OR IN PART IS STRICTLY FORBIDDEN.

NOTES

CA1232 A

REVISIONS

SYM	DESCRIPTION	DATE	E.M.N. NO.	DRAFT	CHKD	APPD
Ø	ORIGINAL RELEASE FOR PRODUCTION	6.27.66	#	WHD		WHD
A	ITEM 16 WAS PM109 (GUIDE MOD. 'T' TYPE) ITEM 18 ADDED	12.22.66	17565	WHD	JFB	WHD

18	MWC22(7)U97	CABLE, ELECT
17	CD101-MW	CORD, LACING
1	16 MS3420-6A	BUSHING
15	PX830-1	INS, SLV, SHRINK
1	14 JJ313-24(W/FS125)	PLUG, CONNECTOR
13	MWC22(7)U96	CABLE, ELECT
12		95
11		94
10		93
9		92
8		91
7		7
6		6
5		5
4		4
3		3
2		2
1	MWC22(7)U1	CABLE, ELECT

BUDETTI LIST OF MATERIAL

MATERIAL

FINISH

UNLESS OTHERWISE SPECIFIED DIMENSIONS ARE IN INCHES AND INCLUDE CHEMICALLY APPLIED OR PLATED FINISHES

DECIMALS .X ± .05 .XX ± .01 .XXX ± .005

FRACTIONS ± 1/64 ± 0° 30'

TOLERANCES

THE TECHNICAL MATERIEL CORP. MAMARONECK, NEW YORK

TITLE CABLE, ASS'Y, S/P

DRAWN WHD DATE 6-23-66

CHECKED JFB DATE 6-21-66

ELECT. DES. DATE

MECH. DES. DATE

FINAL APPROVAL CA1232

DATE 6/21/66

REV. LTR. A

SHEET

M/L FLD 6/21/66