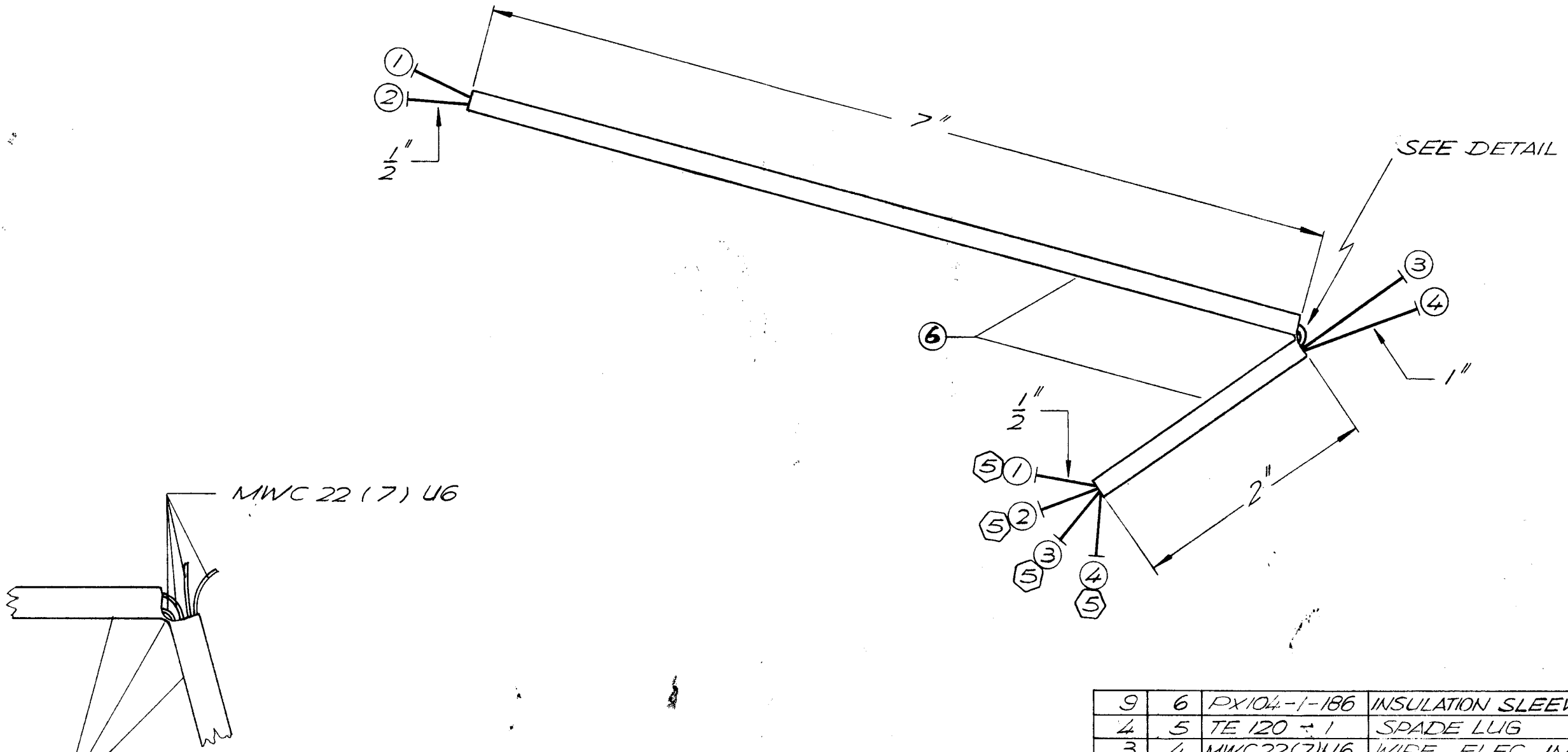


REVISIONS						
ZONE	LTR	DESCRIPTION	DATE	E.M.N.NO	DRAFT	CHKD APPD
	Ø	ORIG. RELEASE FOR PROD	10-22-68		R.G.	



REQ'D	ITEM	PART NUMBER	DESCRIPTION	SYM.
9	6	PX104-1-186	INSULATION SLEEVING, ELECTRICAL	
4	5	TE 120 - 1	SPADE LUG	
3	4	MWC22(7)U6	WIRE, ELEC, INS.	
3	3	MWC22(7)U6		
10	2	MWC22(7)U6		
10	1	MWC22(7)U6	WIRE, ELEC, INS.	

**BUDETTI LIST OF MATERIAL**

FINAL APPROVAL <i>[Signature]</i>	DATE 10/1/68	<b>THE TECHNICAL MATERIEL CORP.</b> MAMARONECK, NEW YORK  <b>CABLE ASSY, S.P.</b> (FAN WRG)
MECH. DES. <i>[Signature]</i>	DATE	
ELECT. DES. <i>[Signature]</i>	DATE	SIZE B    CODE IDENT. NO. 82679    DWG NO. CA1231    ISSUE Ø
CHECKED <i>[Signature]</i>	DATE 10/21/68	
DRAWN <i>[Signature]</i>	DATE 10/15/68	SCALE 1:1    SHEET OF

**TSTE-10K**

QTY / UNIT	MODEL USED ON	ASS'Y NO.
APPLICATION		
CODE		
<b>NOTICE TO PERSONS RECEIVING THIS DRAWING</b> THE TECHNICAL MATERIEL CORPORATION claims proprietary right in the material disclosed hereon. This drawing is issued in confidence for engineering information only and may not be reproduced or used to manufacture anything shown hereon without permission from THE TECHNICAL MATERIEL CORPORATION to the user. This drawing is loaned for mutual assistance and is subject to recall at any time.		
FINISH		

UNLESS OTHERWISE SPECIFIED DIMENSIONS ARE IN INCHES AND INCLUDE CHEMICALLY APPLIED OR PLATED FINISHES	
DECIMALS .X ± .05 .XX ± .01 .XXX ± .005	FRACTIONS 1/64 ANGLES 0° - 30'