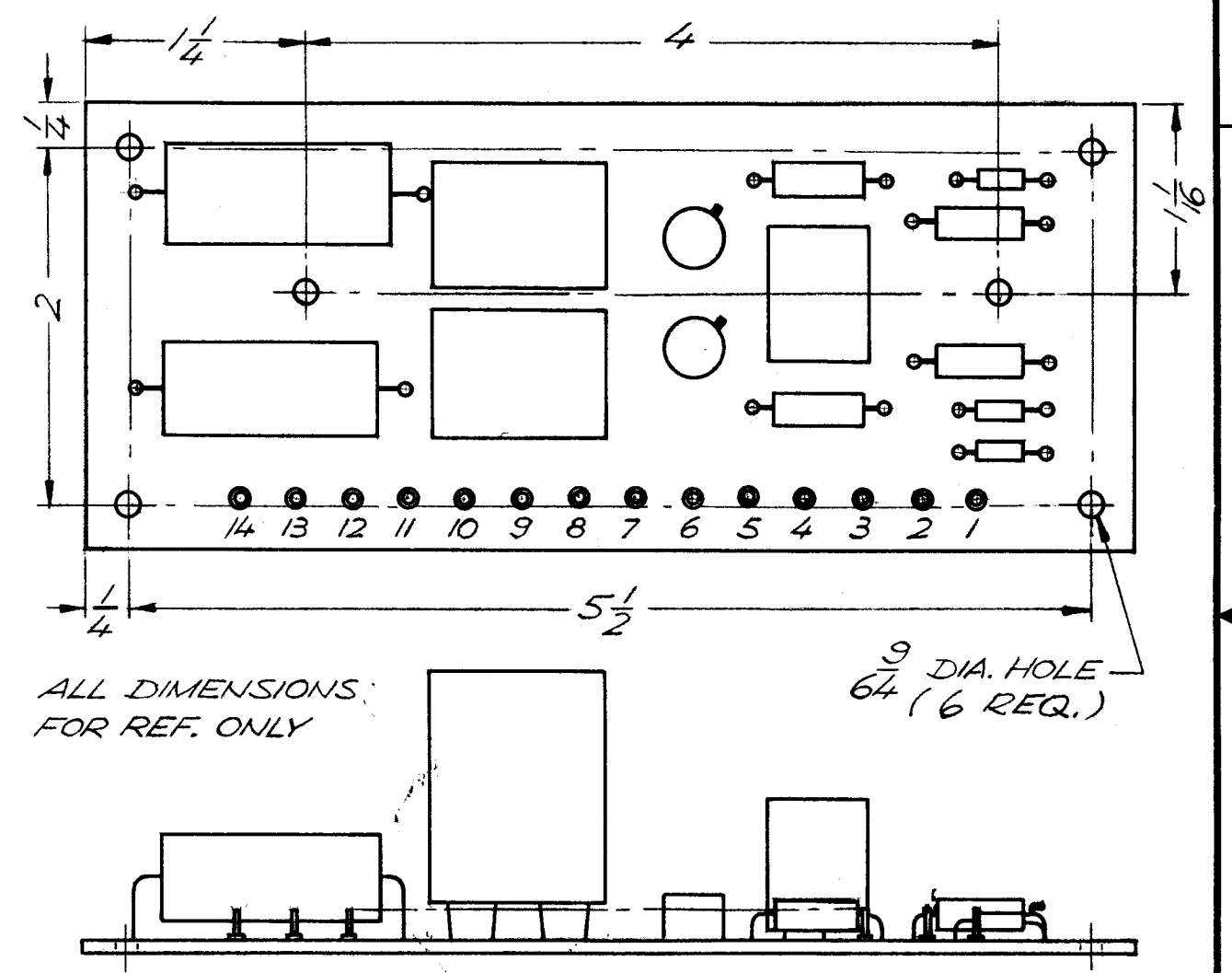
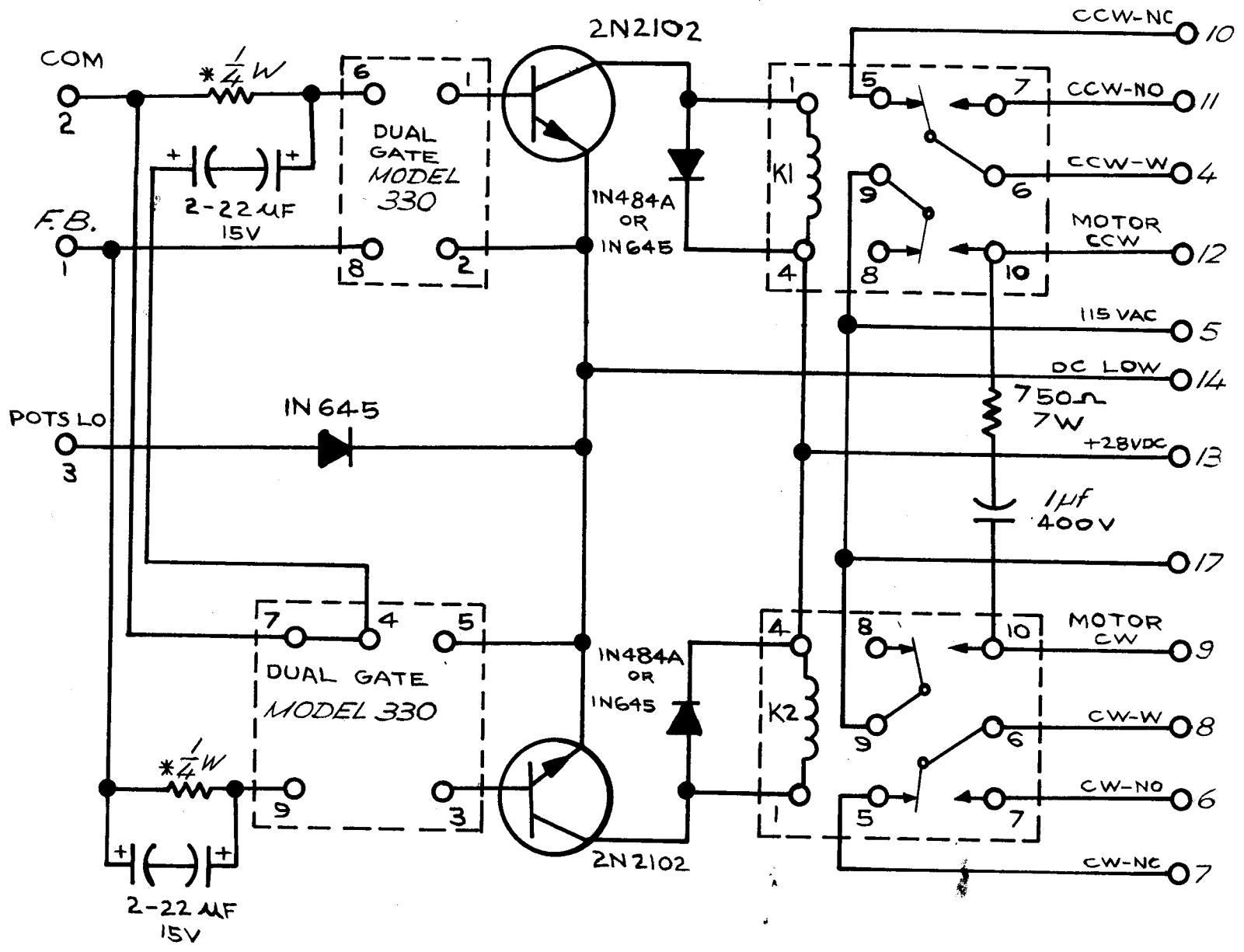


REVISIONS						
ZONE	LTR	DESCRIPTION	DATE	E.M.N.NO	DRAFT	CHKD APPD
	X	EXP. RELEASE	3/17/69		K.H.	
	Ø	ORIG. RELEASE FOR PROD	3/26/69		RG	



* NOMINAL 5.6K, SELECTED ON TEST

1	MTRA-150	
1	LPA-2	
QTY / UNIT	MODEL USED ON	ASS'Y NO.
APPLICATION		
	CODE	
<p>NOTICE TO PERSONS RECEIVING THIS DRAWING THE TECHNICAL MATERIEL CORPORATION claims proprietary right in the material disclosed hereon. This drawing is issued in confidence for engineering information only and may not be reproduced or used to manufacture anything shown hereon without permission from THE TECHNICAL MATERIEL CORPORATION to the user. This drawing is loaned for mutual assistance and is subject to recall at any time.</p>		

UNLESS OTHERWISE SPECIFIED DIMENSIONS ARE IN INCHES AND INCLUDE CHEMICALLY APPLIED OR PLATED FINISHES	
DECIMALS	FRACTIONS
.X ± .05	1/64
.XX ± .01	TOLS. ANGLES
.XXX ± .005	0°-30'
MATERIAL	
FINISH	

REQ'D	ITEM	PART NUMBER	DESCRIPTION	SYM.
F. BLUDETTI LIST OF MATERIAL				
FINAL APPROVAL		DATE	THE TECHNICAL MATERIEL CORP.	
MECH. DES.		DATE	MAMARONECK, NEW YORK	
ELEC. DES.		DATE	ASSY. NETWORK DISCRIMINATOR	
CHECKED		DATE		
DRAWN		DATE		
S401-380 (177)		SIZE	CODE IDENT. NO.	DWG NO.
		B	82679	AZ 114
		SCALE	1:1	SHEET OF
				1