

APPLICATION			REVISIONS						
QTY	MODEL USED ON	ASS'Y NO.	LTR	DESCRIPTION	DATE	E.M.N.NO	DRAFT	CHKD	APPD
	MFTR-10KE5	RAR-2	Ø	ORIG RELEASE FOR PROD	1/13/72		CV		
		RAS-2	A	AX736-5 ADDED	5/16/77	21550			

<u>TMC P/N</u>	<u>DESC.</u>	<u>MFGRS P/N</u>
AX736-1-XXXX	RCVR, TONE	R8XXXXL2/QD1
AX736-2-XXXX	XMTR, TONE	T8XXXX/D1
AX736-3	CHASSIS	RM8()T()R()P()KA
AX736-4	POWER SUPPLY	PS818D3
AX736-5-XXXX	RCUR, TONE	R8 XXXXL2A/SQD1

NOTE 1

ON AX736-1 & AX736-2 FILL IN XXXX WITH APPROPRIATE AUDIO FREQ. FOR 3 DIGIT FREQ., USE 0 FOR 1st DIGIT. EX. 0425

NOTE 2

ON AX736-3 MFGRS P/N, BRACKETS RELATE TO NUMBER OF XMTRS, RCVRs, P. S., & RELAYS. PERTINANT NUMBERS TO CHASSIS ARE RM8---A.

NOTE 3

ON AX736-5 TONE RCURS SPECIFIED ARE USED IN THE RCMT-1 CONTROL SYSTEM.

UNLESS OTHERWISE SPECIFIED DIMENSIONS ARE IN INCHES AND INCLUDE CHEMICALLY APPLIED OR PLATED FINISHES	REQ'D	ITEM	PART NUMBER	DESCRIPTION	SYM.		
	LIST OF MATERIAL						
DECIMALS .X ± .05 .XX ± .01 .XXX ± .005	FRACTIONS 1/64 ANGLES 0° -30'		TOLS. 1/64 ANGLES 0° -30'	FINAL APPROVAL <i>[Signature]</i> DATE 4 Jan 72	THE TECHNICAL MATERIEL CORP. MAMARONECK, NEW YORK AUDIO TONE SYSTEM		
MATERIAL	MECH. DES.		DATE				
FINISH	ELECT. DES.		DATE				
S401-520	DRAWN BN		DATE 4 Jan 72				
NOTICE TO PERSONS RECEIVING THIS DRAWING THE TECHNICAL MATERIEL CORPORATION claims proprietary right in the material disclosed hereon. This drawing is issued in confidence for engineering information only and may not be reproduced or used to manufacture anything shown hereon without permission from THE TECHNICAL MATERIEL CORPORATION to the user. This drawing is loaned for mutual assistance and is subject to recall at any time.				SIZE A	CODE IDENT. NO. 82679	DWG NO. AX736	ISSUE A
SCALE				SHEET OF			

APPLICATION			REVISIONS						
QTY	MODEL USED ON	ASS'Y NO.	LTR	DESCRIPTION	DATE	E.M.N.NO	DRAFT	CHKD	APPD
	MFTR-10KE5	FSR-1 FSS-1	Ø	ORIG RELEASE FOR PROD	1/13/72		CV		

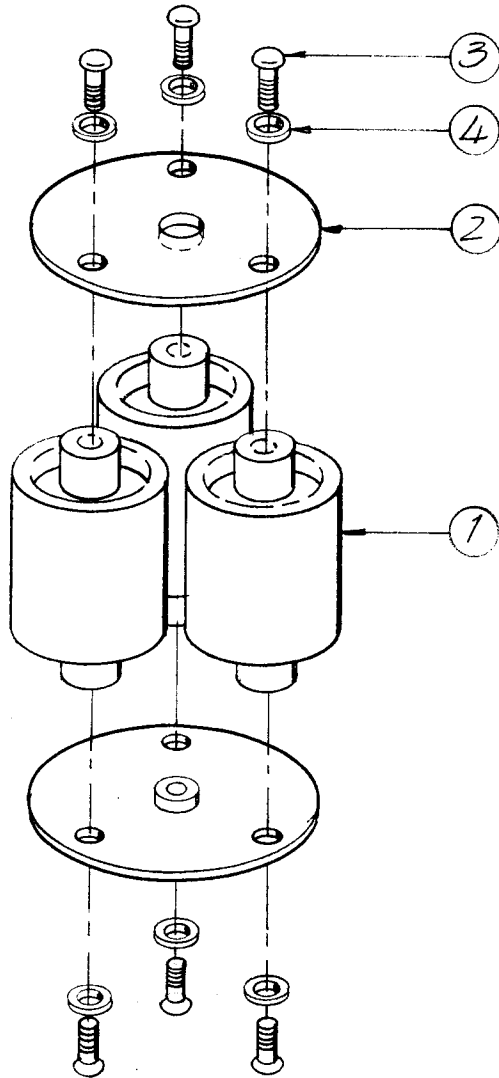
<u>TMC P/N</u>	<u>DESC.</u>	<u>MFGRS P/N</u>
AX741-1-XXXX	RCVR, FS	R573H
AX741-2-XXXX	XMTR, FS	T573H
AX741-3	CHASSIS	RM11H
AX741-4	POWER SUPPLY	PS300
AX741-5	EXTENDER	I570E

NOTE

ON AX741-1 & AX741-2 FILL IN XXXX WITH APPROPRIATE AUDIO FREQ. FOR 3 DIGIT FREQ. USE 0 FOR 1st DIGIT.
EX. 0425

UNLESS OTHERWISE SPECIFIED DIMENSIONS ARE IN INCHES AND INCLUDE CHEMICALLY APPLIED OR PLATED FINISHES		REQ'D	ITEM	PART NUMBER	DESCRIPTION	SYM.	
LIST OF MATERIAL							
DECIMALS FRACTIONS .X ± .05 1/64 .XX ± .01 TOLS. ANGLES .XXX ± .005 0° .30'		FINAL APPROVAL <i>[Signature]</i> DATE 4 Jan 72		THE TECHNICAL MATERIEL CORP. MAMARONECK, NEW YORK FREQ. SHIFT SYSTEM			
MATERIAL		MECH. DES. DATE					
FINISH		ELECT. DES. <i>[Signature]</i> DATE 4 Jan 72					
1401-520		CHECKED DATE					
		DRAWN DATE 4 Jan 72					
NOTICE TO PERSONS RECEIVING THIS DRAWING THE TECHNICAL MATERIEL CORPORATION claims proprietary right in the material shown hereon. This drawing is issued in confidence for engineering information only and is not to be reproduced or used to manufacture anything shown hereon without the written consent of THE TECHNICAL MATERIEL CORPORATION to the user. This drawing is the property of THE TECHNICAL MATERIEL CORPORATION and is loaned to you in mutual assistance and is subject to recall at any time.				SIZE A	CODE IDENT. NO. 82679	DWG NO. AX741	ISSUE <i>[Symbol]</i>
SCALE				SHEET		OF	

APPLICATION			REVISIONS							
QTY	MODEL USED ON	ASS'Y NO.	LTR	DESCRIPTION	DATE	E.M.N.NO	DRAFT	CHKD	APPD	
1	HFL(1)OKREVA	AS163	Ø	ORIGINAL RELEASE	11-6-72			ef		



REQ'D	ITEM	PART NUMBER	DESCRIPTION	SYM.
6	4	LWS10MRN	WASHER LOCK	
6	3	SCBP1032BNG	SCREW MACHINE	
2	2	MS6402	PLATE MTG.	
3	1	CC109-31	CAPACITOR FIXED	

UNLESS OTHERWISE SPECIFIED DIMENSIONS ARE IN INCHES AND INCLUDE CHEMICALLY APPLIED OR PLATED FINISHES

DECIMALS: .X ± .05, .XX ± .01, .XXX ± .005
 FRACTIONS: 1/64
 TOLS. ANGLES: 0° - 30°

REQUIREMENTS	APPROVALS	DATE	DESCRIPTION
FINAL APPROVAL	[Signature]		THE TECHNICAL MATERIEL CORP. MAMARONECK, NEW YORK <i>CAPACITOR ASSY.</i>
MECH. DES.			
ELECT. DES.			
CHECKED			
DRAWN	EVANGELIST	11/2/72	

NOTICE TO PERSONS RECEIVING THIS DRAWING THE TECHNICAL MATERIEL CORPORATION claims proprietary right in the material disclosed hereon. This drawing is issued in confidence for engineering information only and may not be reproduced or used to manufacture anything shown hereon without permission from THE TECHNICAL MATERIEL CORPORATION to the user. This drawing is loaned for mutual assistance and is subject to recall at any time.	SIZE	CODE IDENT. NO.	DWG NO.	ISSUE
	A	82679	AX 747	Ø
SCALE		SHEET 1 OF 1		

APPLICATION			REVISIONS						
QTY	MODEL USED ON	ASS'Y NO.	LTR	DESCRIPTION	DATE	E.M.N.NO	DRAFT	CHKD	APPD
1	RTPR-1YC		Ø	ORIG. REL FOR PROD	6/16/75		Ch		
	ADC-35.1								

CONTROL SITE RACK COMPRISING OF:

- 1 RMS-6T-3R-1P-3K-A (LONG EARS)
- 1 T80425/DI TONE
- 1 T80595/DI TONE
- 1 T80765/DI TONE
- 1 T80935/DI TONE
- 1 T81105/DI TONE
- 1 T81785/DI TONE
- 1 R81275LZA / SQDI TONE
- 1 R81445LZA / SQDI TONE
- 1 R81615LZA / SQDI TONE
- 1 PS S18/D3 POWER SUPPLY
- 1 BOOSTER TRANSFORMER

TREPAC CORP OF AMERICA
 30 W HAMILTON AVE
 ENGLEWOOD, NEW JERSEY

<small>UNLESS OTHERWISE SPECIFIED DIMENSIONS ARE IN INCHES AND INCLUDE CHEMICALLY APPLIED OR PLATED FINISHES</small> <small>DECIMALS: X ± .05, XX ± .01, XXX ± .005</small> <small>FRACTIONS: 1/64, ANGLES: 0°-30'</small>	REQ'D	ITEM	PART NUMBER	DESCRIPTION	SYM.		
	LIST OF MATERIAL						
	FINAL APPROVAL <i>[Signature]</i>		DATE	THE TECHNICAL MATERIEL CORP. MAMARONECK, NEW YORK ASSY TONE EQUIPMENT (SEND) for RTPR-1YC			
	MECH. DES.		DATE				
	ELECT. DES.		DATE				
CHECKED		DATE					
MATERIAL	DRAWN <i>[Signature]</i>		DATE				
FINISH							
<small>NOTICE TO PERSONS RECEIVING THIS DRAWING</small> <small>THE TECHNICAL MATERIEL CORPORATION claims proprietary right in the material disclosed hereon. This drawing is issued in confidence for engineering information only and may not be reproduced or used to manufacture anything shown hereon without permission from THE TECHNICAL MATERIEL CORPORATION to the user. This drawing is loaned for mutual assistance and is subject to recall at any time.</small>				SIZE	CODE IDENT. NO.	DWG NO.	ISSUE
				A	82679	AX 784	Ø
				SCALE		SHEET	OF

APPLICATION			REVISIONS						
QTY	MODEL USED ON	ASS'Y NO.	LTR	DESCRIPTION	DATE	E.M.N.NO	DRAFT	CHKD	APPD
1	RDCR-1YC		Ø	ORIG REL FOR PROD	6/16/75		CL		
	ADC-35.1								

REMOTE SITE RACK COMPRISING OF:

- 1, RMS-3T-6R-1P-6K-A (LONG EARS)
- 1, T81275/DI TONE
- 1, T81445/DI TONE
- 1, T81615/DI TONE
- 1, R80425L2A/SQDI
- 1, R80595L2A/SQDI
- 1, R80765L2A/SQDI
- 1, R80935L2A/SQDI
- 1, R81105L2A/SQDI
- 1, R81785L2A/SQDI
- 1 PS S18D3 POWER/SUPPLY
- 1 BOOSTER TRANSFORMER

TREPAC CORP OF AMERICA
 30 W HAMILTON AVE
 ENGLEWOOD, NEW JERSEY

<small>UNLESS OTHERWISE SPECIFIED DIMENSIONS ARE IN INCHES AND INCLUDE CHEMICALLY APPLIED OR PLATED FINISHES</small> <small>DECIMALS FRACTIONS</small> <small>.X ± .05 TOLS. 1/64</small> <small>.XX ± .01 ANGLES</small> <small>.XXX ± .005 ° .30'</small>	REQ'D	ITEM	PART NUMBER	DESCRIPTION	SYM.		
	LIST OF MATERIAL						
	FINAL APPROVAL <i>OR</i>		DATE	THE TECHNICAL MATERIEL CORP. MAMARONECK, NEW YORK ASS'Y TONE EQUIPMENT (REC) FOR RDCR-1YC			
	MATERIAL	MECH. DES.	DATE				
	FINISH	ELECT. DES.	DATE				
	CHECKED	DATE					
	DRAWN <i>AS</i>	DATE					
<small>NOTICE TO PERSONS RECEIVING THIS DRAWING</small> <small>THE TECHNICAL MATERIEL CORPORATION claims proprietary right in the material disclosed hereon. This drawing is issued in confidence for engineering information only and may not be reproduced or used to manufacture anything shown hereon without permission from THE TECHNICAL MATERIEL CORPORATION to the user. This drawing is loaned for mutual assistance and is subject to recall at any time.</small>				SIZE	CODE IDENT. NO.	DWG NO.	ISSUE
				A	82679	AX 785	Ø
				SCALE		SHEET	OF