

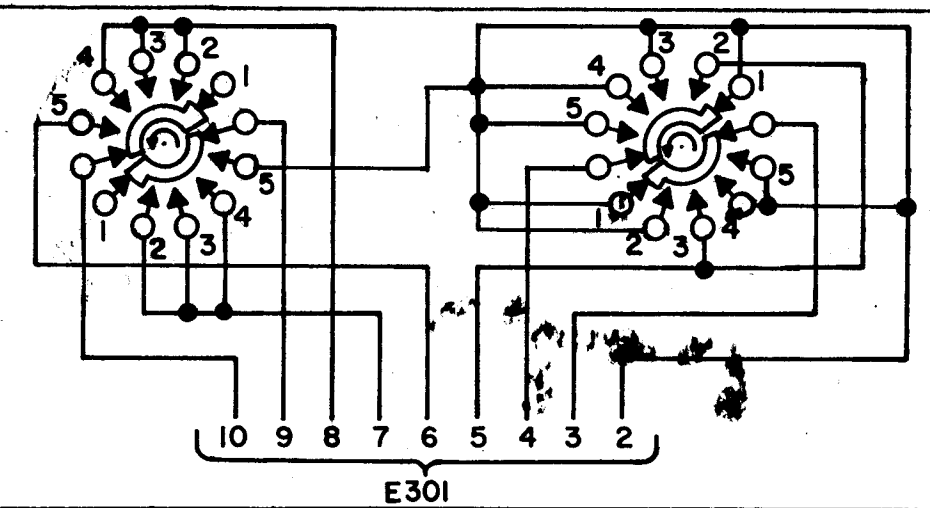
ELECTRICAL SPECIFICATIONS

NO. OF SECTIONS ~ 2
 NO. OF POSITIONS ~ 5
 ANGLE OF THROW ~ 30°
 CONTACTS AND ROTORS NON SHORTING

MECHANICAL SPECIFICATIONS

MATERIALS ~
 CONTACTS ~ SILVER PLATED BRASS
 INSULATION ~ BAKELITE

NOTE ~
 SWITCH SUPPLIED WITH LEADS ATTACHED AS SHOWN TO FACILITATE EASE OF MAINTENANCE.



ISSUE	ITEM	CHANGED FROM	DATE	CH. NO.	DRAFTS	CHECKER	ENG. APP.
TOLERANCES							
DEC. DIM. ±			SCALE: NPL 2A-1786				
FRAC. DIM. ±			MAXIMUM ALLOWABLE TOLERANCES HAVE BEEN DETERMINED AND ANY DEVIATIONS WILL BE CAUSE FOR REJECTION.				
ANGULAR DIM. ±			REMOVE ALL BURRS AND SHARP EDGES				

1	MCP-2			10-28-59
REQ. PER UNIT	MODEL	PROJECT NO.	ASS'Y. NO.	DATE
USED ON				

REQ. ITEM	PART NO.	DESCRIPTION	SYMBOL
THE TECHNICAL MATERIEL CORP. MAMARONECK, NEW YORK			
MODE SWITCH			
MATERIAL			
J.C. Biele		DRAWN	CHECKED
TYPE & TEMPER		HEAT TREAT. SPEC.	FINAL APPROVAL
FINISH & SPEC. NO.		ELEC. DES. APP.	MECH. DES. APP.
AS-115			