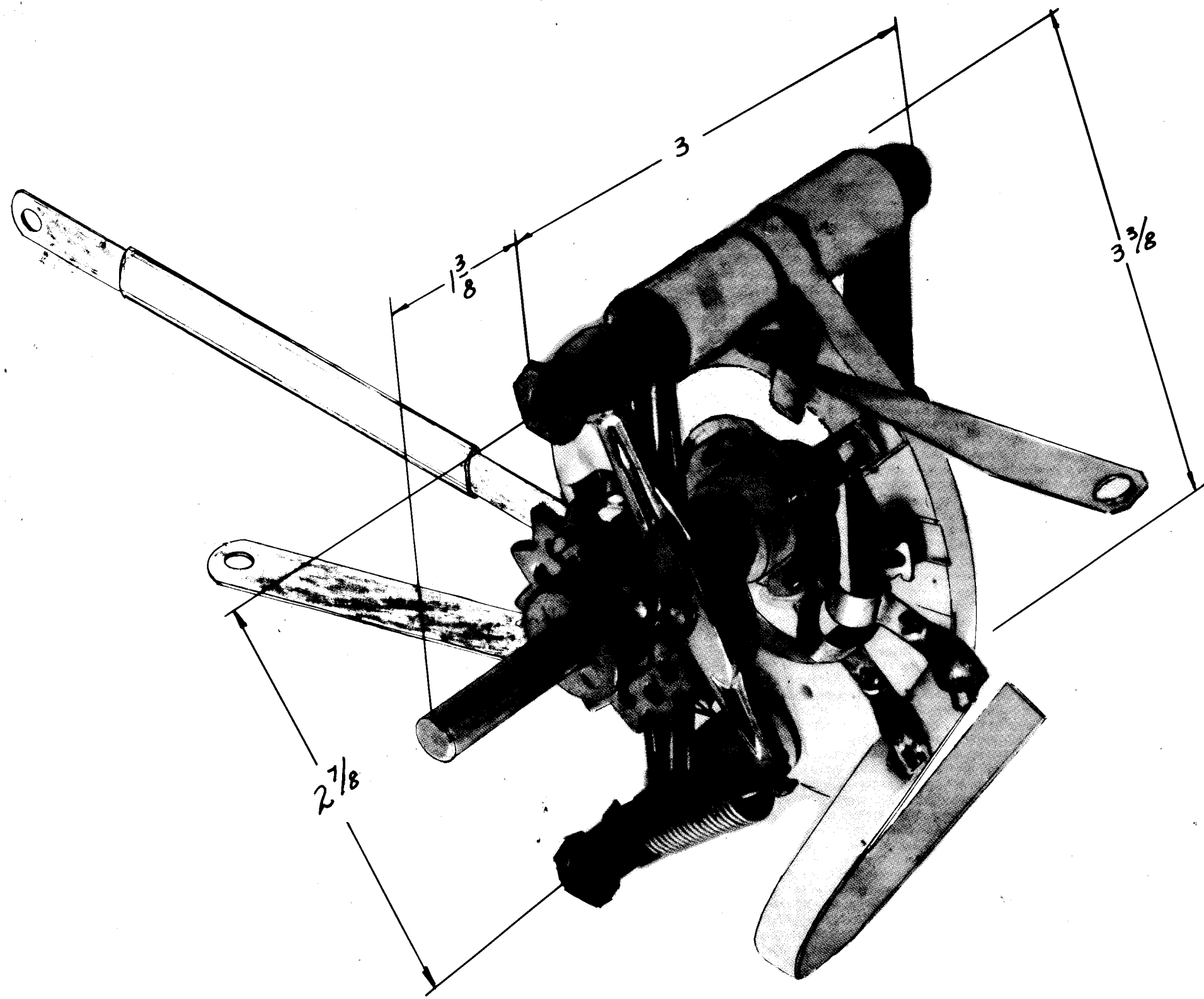


AS-101 A



ELECTRICAL SPECIFICATIONS
SWITCH, ROTARY: W/30° DETENT;
3 POSITIONS; STEATITE INSULATION;
NICKEL SILVER SHAFT.

ASSEMBLY INCLUDES LEADS TO
FACILITATE MAINTENANCE.

A	1	ON SPECS. 3 POS. WAS 7.	3.25.64	11100	WB	@			
ISSUE	ITEM	CHANGED FROM	DATE	CH. NO.	DRAFTS	CHECKER	ENG. APP.		
TOLERANCES		SCALE: A-1621							
DEC. DIM. ±		MAXIMUM ALLOWABLE TOLERANCES HAVE BEEN DETERMINED AND ANY DEVIATIONS WILL BE CAUSE FOR REJECTION.							
FRAC. DIM. ±		REMOVE ALL BURRS AND SHARP EDGES							
ANGULAR DIM. ±									

1	RFD-1			11-22-60
1	RFC-1			11-22-60
1	RFB-1			
REQ. PER UNIT	MODEL	PROJECT NO.	ASS'Y. NO.	DATE
USED ON				

REQ. ITEM	PART NO.	DESCRIPTION	SYMBOL
STOCK SIZE		THE TECHNICAL MATERIEL CORP. MAMARONECK, NEW YORK	
MATERIAL		IPA LOAD SWITCH ASS'Y.	
TYPE & TEMPER	HEAT TREAT. SPEC.	DRAWN	CHECKED
		16	AW
FINISH & SPEC. NO.	ELEC. DES. APP.	MECH. DES. APP.	FINAL APPROVAL
			AS-101
			A