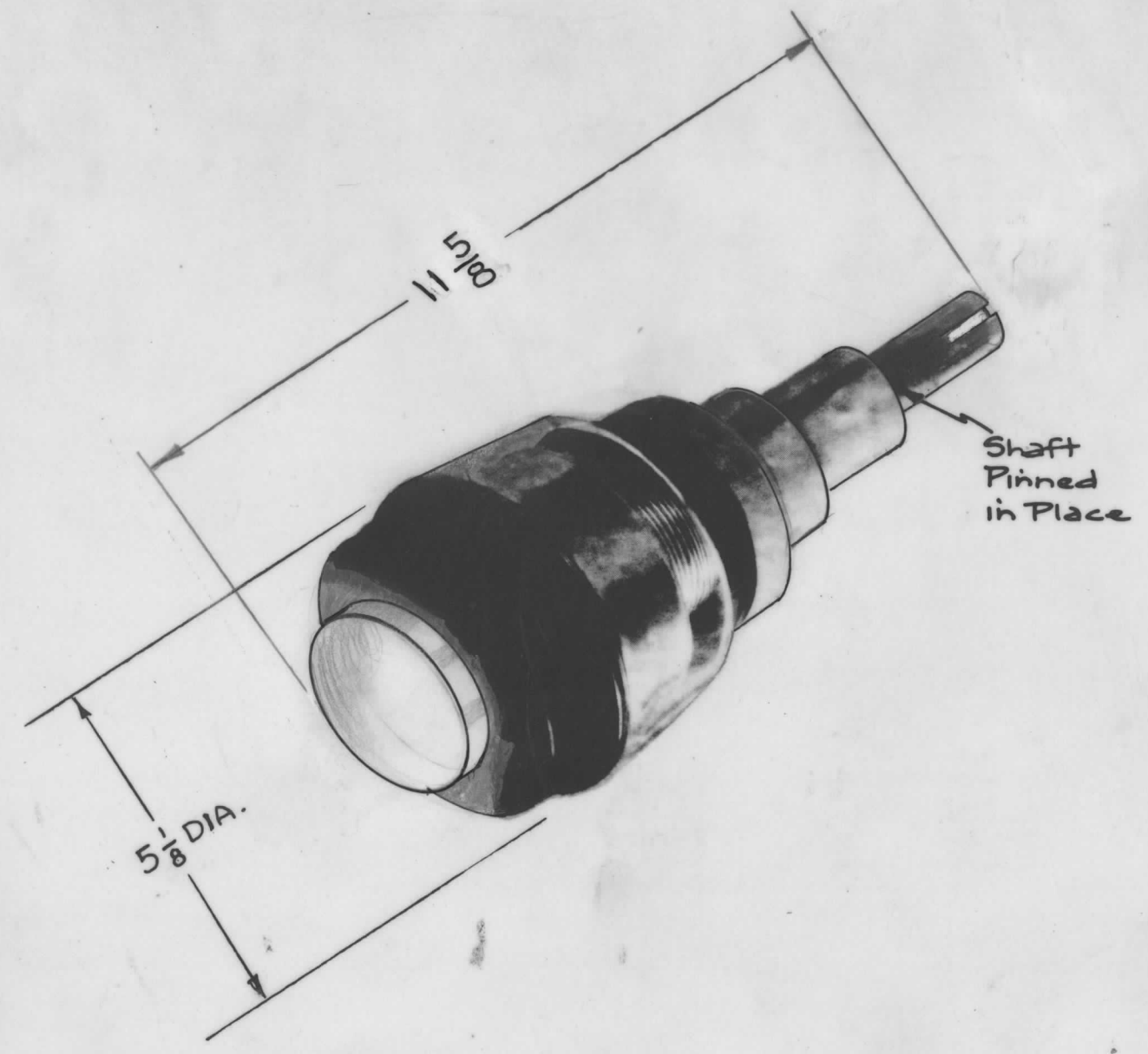


AM-116

ELECTRICAL SPECIFICATIONS:

50-2000
 10 Kilo volts (Peak)
 Current Rating - 45 Amps RMS



| ISSUE | ITEM | CHANGED FROM | DATE | CH. NO. | DRAFTS | CHECKER | ENG. APP. |
|--------------|------|--------------|---|---------|--------|---------|-----------|
| | | | | | | | |
| TOLERANCES | | | SCALE: NPL 2A-A-2197 | | | | |
| DEC. DIM. ± | | | MAXIMUM ALLOWABLE TOLERANCES HAVE BEEN DETERMINED AND ANY DEVIATIONS WILL BE CAUSE FOR REJECTION. | | | | |
| FRAC. DIM. ± | | | | | | | |

| | | | | |
|---------------|---------|-------------|----------|----------|
| 1 | GPT-40K | AT-103 | | 10-26-61 |
| REQ. PER UNIT | MODEL | PROJECT NO. | SYM. NO. | DATE |

| REQ. ITEM | PART NO. | DESCRIPTION | SYMBOL | | | | | | |
|-----------|--------------------|--|-----------------|-------|--|-------|---------|----------------|--|
| | | THE TECHNICAL MATERIEL CORP. MAMARONECK, NEW YORK | | | | | | | |
| | STOCK SIZE | CAPACITOR, ASS'Y, VARIABLE | | | | | | | |
| | MATERIAL | VACUUM, | | | | | | | |
| | | <table border="1"> <tr> <td>OB</td> <td>RUZZO</td> <td></td> </tr> <tr> <td>DRAWN</td> <td>CHECKED</td> <td>FINAL APPROVAL</td> </tr> </table> | OB | RUZZO | | DRAWN | CHECKED | FINAL APPROVAL | |
| OB | RUZZO | | | | | | | | |
| DRAWN | CHECKED | FINAL APPROVAL | | | | | | | |
| | TYPE & TEMPER | HEAT TREAT. SPEC. | | | | | | | |
| | FINISH & SPEC. NO. | ELEC. DES. APP. | MECH. DES. APP. | | | | | | |

AM-116