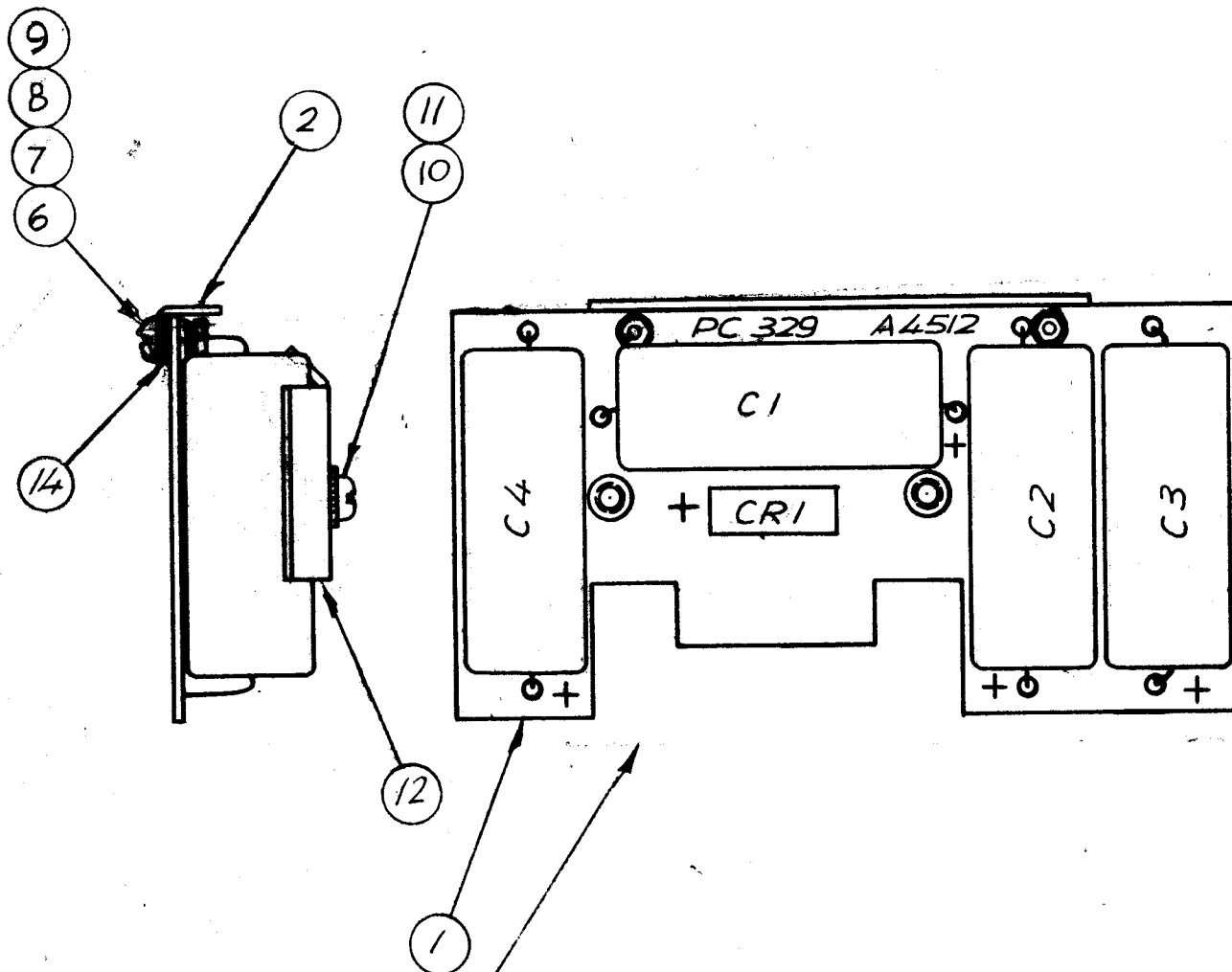


REVISIONS						
ZONE	LTR	DESCRIPTION	DATE	E.M.N.NO	DRAFT	CHKD APPD
	X	EXPERIMENTAL RELEASE	3.1.67		LHO	OK
	X1	ITEM 9 RELOCATED WAS WA109-18	3-10-67		G.D.L	
	X2	ITEM 14 ADDED	3-28-67			
	X3	ITEM 14 WAS -17	6.13.67			
	X4	C3 WAS C1 & C1 WAS C3 MODEL HF5R-4 DELETED, MODEL LFE-1 ADDED & MMX-1 WAS MMX-1	7-13-67		S.D.L	
	Ø	ORIG. RELEASE FOR PROD.	8-1-67	Ø	RG	
	A	ADDED * NOTE	4/11/68	18853		



ITEM 12 NOT SHOWN ON THIS VIEW FOR CLARIFICATION

* NOTE:
REFER TO NPL A4512 FOR ELECTRICAL COMPONENT PART NO'S.
USE SYMBOL NO'S FOR ASSY REF.

REQ'D	ITEM	PART NUMBER	DESCRIPTION	SYM.
2	14	WA109-18	WASH, NM	
X	13	BS100	SOLDER, TIN ALLOY	
1	12	MS6055	CLAMP, CAPACITORS	
2	11	LWEO6MRN	WASHER, LOCK, EXT	
2	10	SCBPO632BN4	SCREW, MACHINE	
2	9	LWEO4MRN	WASHER, LOCK SPLIT	
2	8	FWO44DBNG	WASHER, FLAT	
2	7	NTHO4BNG	NUT, HEX	
2	6	SCBPO440BNA	SCREW, MACHINE	
1	5	SEE NOTE *		
2	4	SEE NOTE *		
2	3	SEE NOTE *		
1	2	MS6063	STIFFENER	
1	1	PC329	PRINTED CIRCUIT BOARD	

1	SME-6, MFE-1	AX652
1	LFE-1	AX652
1	VOX-7	AX651
1	MMX-1	AX652
QTY / UNIT	MODEL USED ON	ASS'Y NO.

APPLICATION	
CODE	ASS'Y NO.
A	

NOTICE TO PERSONS RECEIVING THIS DRAWING
THE TECHNICAL MATERIEL CORPORATION claims proprietary right in the material disclosed hereon. This drawing is issued in confidence for engineering information only and may not be reproduced or used to manufacture anything shown hereon without permission from THE TECHNICAL MATERIEL CORPORATION to the user. This drawing is loaned for mutual assistance and is subject to recall at any time.

UNLESS OTHERWISE SPECIFIED
DIMENSIONS ARE IN INCHES
AND INCLUDE CHEMICALLY APPLIED
OR PLATED FINISHES

DECIMALS: .X ± .05, .XX ± .01, .XXX ± .005
FRACTIONS: 1/64
TOLS.: ANGLES: 0°-30'

MATERIAL:
FINISH:

FINAL APPROVAL: [Signature] DATE: 8-2-67
MECH. DES. DATE:

ELECT. DES. DATE: 8-1-67
CHECKED: [Signature] DATE: 8-1-67
DRAWN: LHO DATE: 3-1-67

mk Allen 8/1/67

THE TECHNICAL MATERIEL CORP.
MAMARONECK, NEW YORK

ASS'Y PRINTED CIRCUIT BD
PWR. SUP.

SIZE	CODE IDENT. NO.	DWG NO.	ISSUE
B	82679	A4512	Ae

SCALE 1:1 SHEET OF