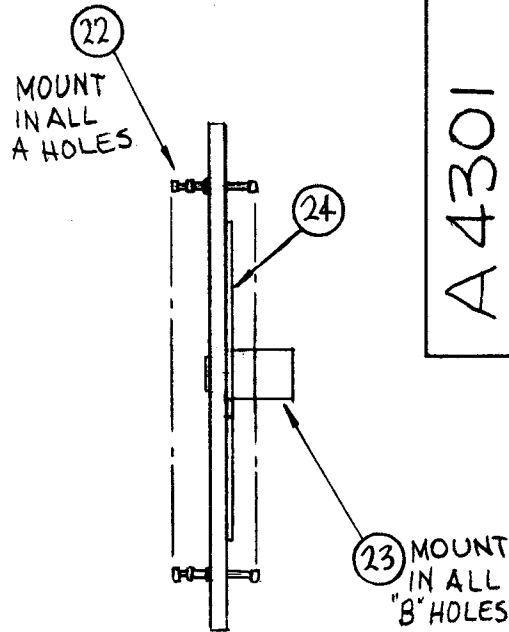


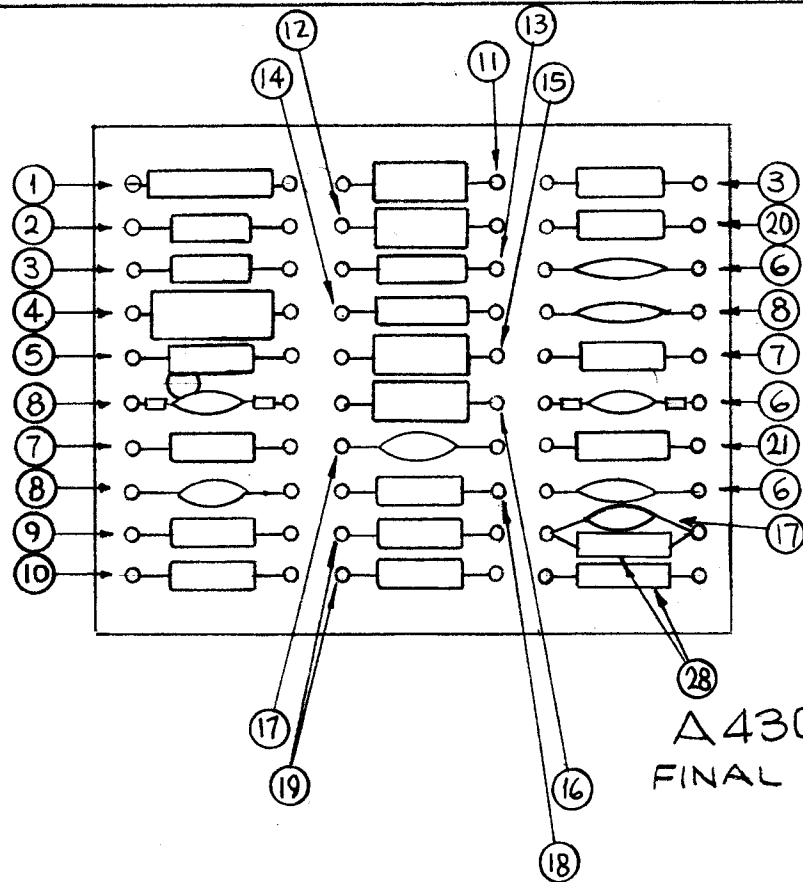
HOLES: REQ.
 A-#48 DR.-60
 B-#12 DR.-2

MARK TMC P/N
 1/8 HIGH GOTHIC
 W/LATEST REV.
 LETTER.

MAT'L:
 .093 THK MELAMINE G11
 FINISH:
 NATURAL
 A4301-1
 MACHINING



FUNGUS PROOFING PER
 TMC SPECIFICATION S-113
 A4301-2
 SUB-ASSY



A4301-3
 FINAL ASSY

1	TST - 10K	A4148
Q'TY./UNIT	MODEL USED ON	ASS'Y. NO.
SCALE 1:1	CODE A	

THE CONTENTS OF THIS DRAWING ARE THE EXCLUSIVE PROPERTY OF THE TECHNICAL MATERIEL CORP. ITS UNAUTHORIZED USE OR REPRODUCTION IN WHOLE OR IN PART IS STRICTLY FORBIDDEN.

REVISIONS					
SYM	DESCRIPTION	DATE	E.M.N. NO.	DRAFT	CHKD APPD
X1	ITEM 28 & ITEM 17 ADDED	9-13-65	X1	JK	ua
Ø	ORIGINAL RELEASE FOR PRODUCTION	3-31-66	Ø	ufw	
2	28 RC20GF331J	RES, FXD, COMP.			R933,934
X	27 BS100	SOLDER TIN ALLOY			
X	26 PX104-1-022	INS, SLVG, ELECT.			
X	25 WL100-8	WIRE, ELECT, BUSS			
2	24 TE116-4	TERMINAL LUG.			B
2	23 TE108-12	STANDOFF, RIVET TYPE			B
60	22 TE168-4C	TERMINAL MINATURE			A
1	21 RC20GF473J	RES, FXD, COMP.			R911
1	20 CL275-681	COIL, RF, FXD.			L908
2	19 RC20GF105J	RES, FXD, COMP.			R913,912
1	18 CL275-102	COIL, RF, FXD.			L900
2	17 CC100-16	CAP, FXD, CER.			C916,973
1	16 CM15C200J03	CAP, FXD, MICA			C954
1	15 CM15C100J03YY	CAP, FXD, MICA			C907
1	14 RC20GF470J	RES, FXD, COMP.			R903
1	13 RC20GF471J	RES, FXD, COMP.			R902
1	12 CM15C500J03	CAP, FXD, MICA			C910
1	11 CM15B050J03YY	CAP, FXD, MICA			C908
1	10 RC20GF474J	RES, FXD, COMP.			R900
1	9 RC20GF224J	RES, FXD, COMP.			R905
3	8 CC100-37	CAP, FXD, CER.			C900,958,957
2	7 CL275-121	COIL, RF, FXD.			L907,912
3	6 CC100-29	CAP, FXD, CER.			C914,915,939
1	5 RC20GF153J	RES, FXD, COMP.			R918
1	4 CL140-9	COIL, RF, FXD.			L918
2	3 RC20GF222J	RES, FXD, COMP.			R917,909
1	2 RC20GF100J	RES, FXD, COMP.			R901
1	1 CL240-3.3	COIL, RF, FXD.			L913
REQ'D.	ITEM	PART NUMBER	DESCRIPTION	SYMBOL	

F. BUDETTI LIST OF MATERIAL

MATERIAL: _____

FINISH: _____

UNLESS OTHERWISE SPECIFIED DIMENSIONS ARE IN INCHES AND INCLUDE CHEMICALLY APPLIED OR PLATED FINISHES

DECIMALS: .X ± .05, .XX ± .01, .XXX ± .005

FRACTIONS: ± 1/64, ± 0° 30'

TOLERANCES

THE TECHNICAL MATERIEL CORP.
 MAMARONECK, NEW YORK

TITLE: TERMINAL BOARD ASS'Y

DRAWN: [Signature] DATE: 6-22-65

CHECKED: [Signature] DATE: 3-2-66

ELECT. DES.: [Signature] DATE: 3-29-66

MECH. DES.: [Signature] DATE: _____

FINAL APPROVAL: [Signature] DATE: 3/31/66

A4301

SHEET: _____ REV. LTR.:

NOTES