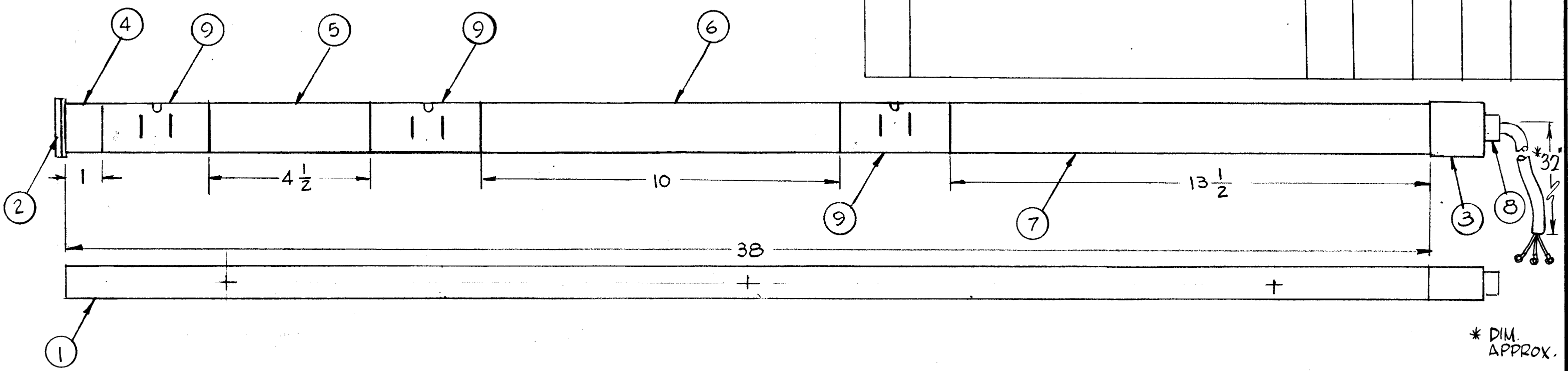
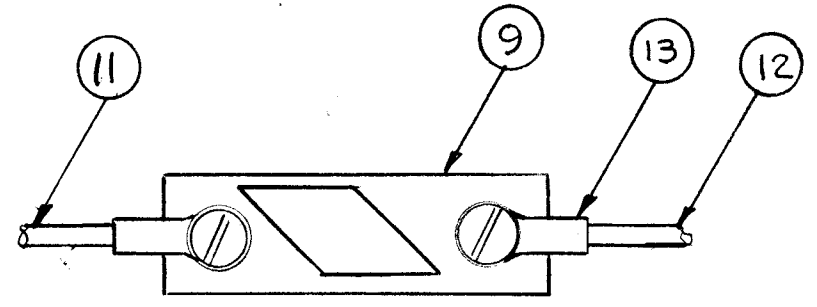


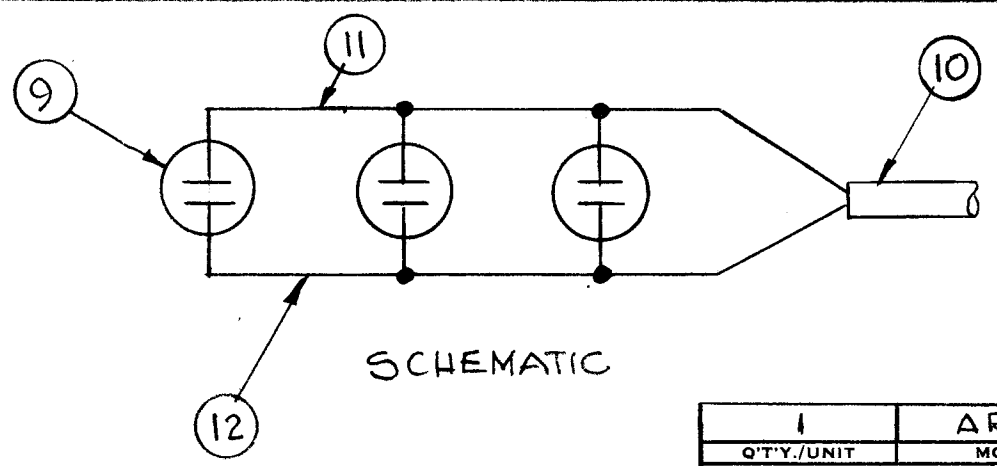
REVISIONS						
SYM	DESCRIPTION	DATE	E.M.N. NO.	DRAFT	CHKD	APPD
Ø	ORIGINAL RELEASE FOR PRODUCTION	8/10/69		CU		



\* DIM. APPROX.



HOOK-UP OF ITEM 9



SCHEMATIC

10	13	TE 159-34 158	TERMINAL, LUG INS.	
	12	MWC 12 (19)U9	WIRE, ELEC, INS.	
	11	MWC 12 (19)U0	WIRE, ELEC, INS.	
1	10	CA71B	CABLE, ASSY, POWER AC	
3	9	JJ 294	CONNECTOR, RECP, FML, AC 3/C	
1	8	CU 110	BOX CONNECTOR, ELEC.	
1	7	PO 163-13.500	COVER, CND	
1	6	PO 163-10.000	COVER, CND	
1	5	PO 163-4.500	COVER, CND	
1	4	PO 163-1.000	COVER, CND	
1	3	PO 162	CONDUIT OUTLET	
1	2	PO 161	END FTG, BLANK	
1	1	MS 4605	CONDUCTOR RACEWAY, MTL	
REQ'D.	ITEM	PART NUMBER	DESCRIPTION	SYMBOL

EATON LIST OF MATERIAL

MATERIAL		THE TECHNICAL MATERIEL CORP. MAMARONECK, NEW YORK			
FINISH		TITLE AX 586 ASSEMBLY (AC POWER STRIP)			
UNLESS OTHERWISE SPECIFIED DIMENSIONS ARE IN INCHES AND INCLUDE CHEMICALLY APPLIED OR PLATED FINISHES		DRAWN G.D.L.	DATE 7-21-69	FINAL APPROVAL <i>[Signature]</i>	DATE 8-12-69
DECIMALS .X ± .05 .XX ± .01 .XXX ± .005		TOLERANCES		ELECT. DES. DATE	
FRACTIONS ± 1/64 ANGLES ± 0° 30'		MECH. DES. DATE		A 4291	
				SHEET	
				RESULTS	

1	ARCD-1	
Q'TY./UNIT	MODEL USED ON	ASS'Y. NO.
SCALE	CODE	
DO NOT SCALE		
THE CONTENTS OF THIS DRAWING ARE THE EXCLUSIVE PROPERTY OF THE TECHNICAL MATERIEL CORP. ITS UNAUTHORIZED USE OR REPRODUCTION IN WHOLE OR IN PART IS STRICTLY FORBIDDEN.		

NOTES