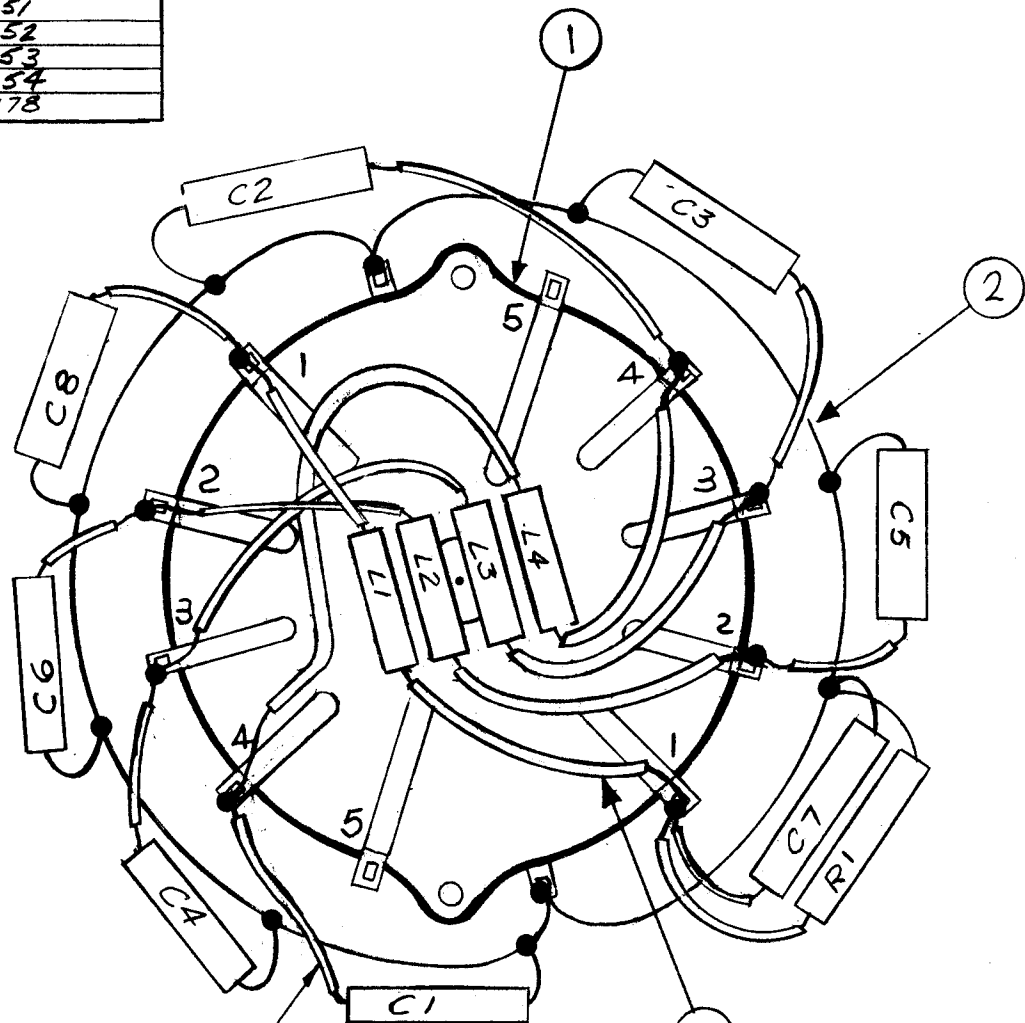


SYMBOL	SBE-2A	SBE-8,9,10
C1	C274	C297
C2	C275	C298
C3	C272	C295
C4	C273	C296
C5	C270	C293
C6	C271	C294
C7	C268	C291
C8	C269	C292
L1	L136	L151
L2	L137	L152
L3	L138	L153
L4	L139	L154
R1	R245	R278



12 TYP FOR LEADS ON ITEMS 4,5,6

11 TYP SLEEVING FOR ITEMS 7,8,9,10, AS SHOWN

NOTE: COMPONENTS MOUNTED ON REAR SIDE OF WAFER

NOTES

1	SBE-8,9,10	
1	SBE-2A	A1516-A
Q'TY./UNIT	MODEL USED ON	ASS'Y. NO.
SCALE	CODE	
DO NOT SCALE		
THE CONTENTS OF THIS DRAWING ARE THE EXCLUSIVE PROPERTY OF THE TECHNICAL MATERIEL CORP. ITS UNAUTHORIZED USE OR REPRODUCTION IN WHOLE OR IN PART IS STRICTLY FORBIDDEN.		

D  
A4253

REVISIONS						
SYM	DESCRIPTION	DATE	E.M.N. NO.	DRAFT	CHKD	APPD
Ø	ORIGINAL RELEASE FOR PRODUCTION	5-6-65		CJL		
A	IT. 1 SYM S106 ADDED. IT. 8,9,10, WAS CM15B	8/25/65	14502	DVV	JB	MM
B	SYM. NO CHG. AND IT. 13 ADDED SYM. ON BM REVISED IT. 3 WAS CL270-5.5	12/4/65	15397	H.V.V.	JB	
C	Item(5) WAS CL270-1.5	4-22-66	16086		JB	
D	DELE. IT. 3. IT. 2 WAS SZ. 24. IT. 11 WAS SZ. 22. IT. 4 WAS 1 REQ.	10/24/66	17097	RME	JB	

REQ'D.	ITEM	PART NUMBER	DESCRIPTION	SYMBOL	
	1	13	RC42GF221J	RESISTOR, FIXED, COMPOSITION	R1
X	12	PX104-4-034	INS, SLEEVING, SZ. 20, GREEN		
X	11	PX104-1-022	INS, SLEEVING, SZ. 24, BLACK		
	2	10	CM15F511J	CAP, FIXED, MICA	C7,C8
	2	9	CM15F271J		C5,C6
	2	8	CM15F131J		C3,C4
	2	7	CM15C620J	CAP, FIXED, MICA	C1,C2
	1	6	CL270-0.68	COIL, RF, FIXED	L4
	1	5	CL241	COIL, RF, FIXED	L3
	2	4	CL270-3.3	COIL, RF, FIXED	L1,L2
		3	DELETED		
X	2	WL100-6	WIRE, ELECT, BUSS		
1	1	WS137	SW SECT., ROT.	S106E	

LIST OF MATERIAL

MATERIAL	THE TECHNICAL MATERIEL CORP. MAMARONECK, NEW YORK			
FINISH	TITLE SWITCH SECTION, ASSY			
UNLESS OTHERWISE SPECIFIED DIMENSIONS ARE IN INCHES AND INCLUDE CHEMICALLY APPLIED OR PLATED FINISHES		DRAWN EANZA	DATE 5-4-65	FINAL APPROVAL [Signature]
		CHECKED	DATE	DATE 5/11/65
DECIMALS .X ± .05 .XX ± .01 .XXX ± .005	TOLERANCES	ELECT. DES. [Signature]	DATE	A4253
		MECH. DES.	DATE	D
			SHEET	REV. LTR.