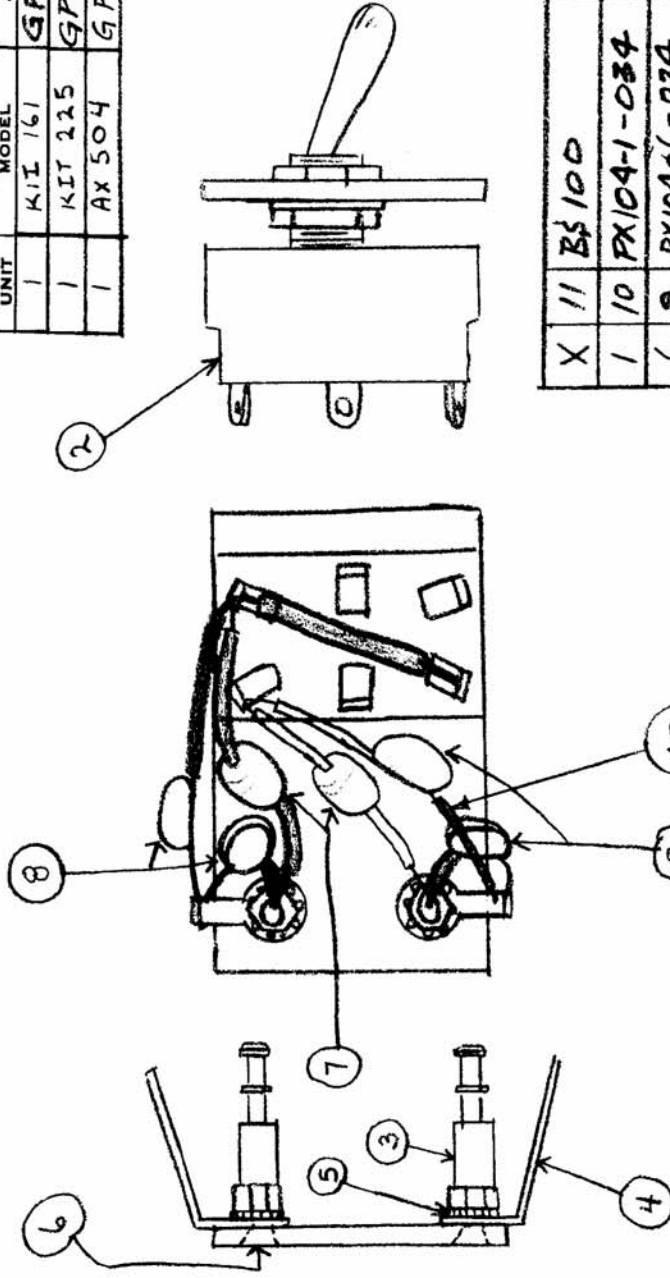


REQ. PER UNIT		MODEL		USED ON	
1	1	KIT 161	ASSY. NO.	GPT 40K	DATE
1	1	KIT 225	GPT 40K	5/18/65	
1	1	AX 504	GPT 40K	5/18/65	

A 4223



C1040 41
42, 43

ALL OTHER
SLEEVING
IS ITEMS 9

X 11	B\$100	SOLDER, TIN ALLOY			
1	10	PX104-1-034	INS SLVG - NO 20	BLK	
6	9	PX104-6-034	INS SLVG - NO 20	BLUE	
4	8	CC100-16	CAPACITOR, FIXED, CER		
2	7	CL140-1	COIL, RF, FIXED	L100S L1006	
2	6	SCFPD40B3	SCREW, MACHINE		
2	5	LNE04MRN	WASHER, LOCK, EXTERNAL		
2	4	TE116-1	TERMINAL, LUG - NO 4		
2	3	TE102-2	TERMINAL, STUD - INSULATED		
1	2	ST105	SWITCH, TOGGLE DPDT	S1017	
1	1	LD1539/MS3499	BRACKET, COMPONENT, MTG		
REQ. ITEM	PART NO.	DESCRIPTION		SYMBOL	
STOCK SIZE					
MATERIAL					
THE TECHNICAL MATERIEL CORP. MAMARONECK, NEW YORK					
ALDC, ASSY					
TYPE & TEMPER		HEAT TREAT. SPEC.	DRAWN	CHECKED	FINAL APPROVAL
FINISH & SPEC. NO.		ELEC. DES. APP. MECH. DES. APP.		A 4223	

ORIGINAL RELEASE FOR
PRODUCTION

DATE 6/4/65

CH. NO. LC CS

SCALE

UNLESS OTHERWISE SPECIFIED
DIMENSIONS ARE IN INCHES AND INCLUDE
CHEMICALLY APPLIED OR PLATED FINISHES

FRACTIONS
± 1/64
ANGLES
± 0° 30'

TOLERANCES
DECIMALS
.X ± .05
.XX ± .01
.XXX ± .005