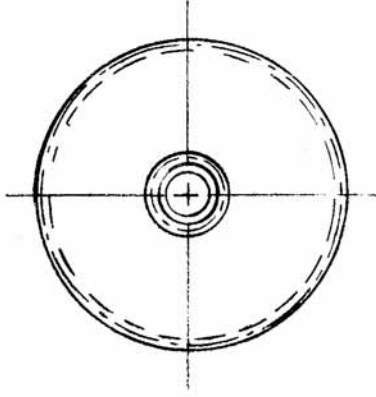
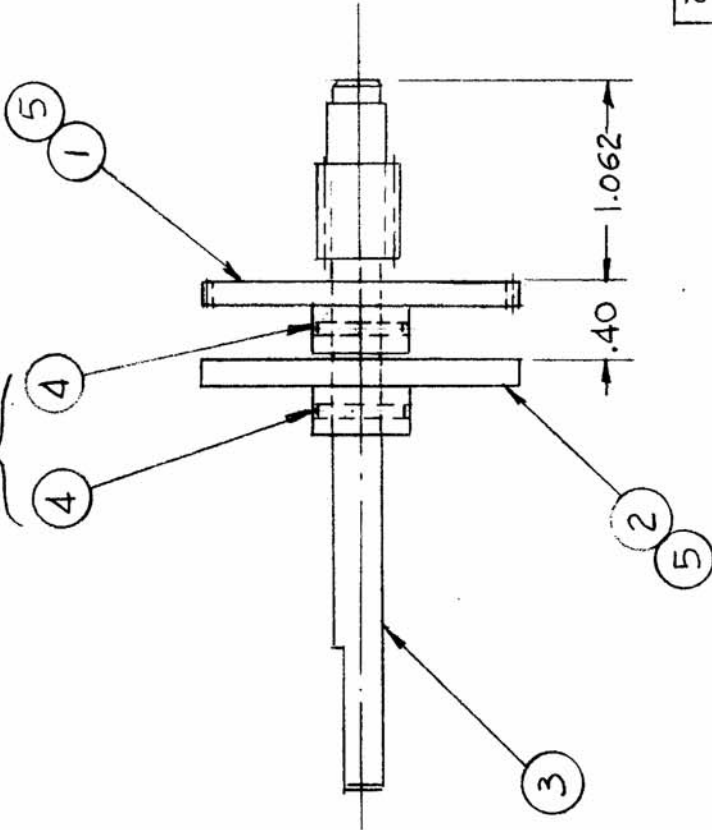


REQ. PER UNIT: 1
 MODEL: CHGR-3
 ASS'Y. NO.: A4168
 USED ON: A4174
 DATE: 1-28-65

DR. .093-.096 DIA
 & PIN WITH ITEM 4



2	5	SLHCO632SS3	SET SCREW		
2	4	PN 114-4	PIN, GROOVED, HDLS		
1	3	GR 219	PINION SHAFT		
1	2	PM 1029	DETENT		
1	1	GR 205-2	GEAR, SPUR		
			G. ANGER	DESCRIPTION	SYMBOL
			THE TECHNICAL MATERIEL CORP. MAMARONECK. NEW YORK		
			GEAR & DETENT ASSY		
			G.D.L. <i>JCS</i> <i>4/8/65</i>		
			DRAWN: <i>Junger</i> CHECKED: <i>JCS</i>		
			FINAL APPR: <i>JCS</i>		
			ELEC. DES. APP. MECH. DES. APP.		
			A4174		
			A		

A	ADD IT'S & CALLOUT	9/19/66	RME	<i>JCS</i>	CHKR	ENG. APP.
Ø	ORIGINAL RELEASE FOR PRODUCTION	4/8/65	HLA			
X ₁	MODEL WAS CHG -3; ADDED A4168; ADDED 219 TO IT. 3	4/8/65	JL	<i>JCS</i>		
SYM	DESCRIPTION	DATE	CH. NO.	DRAFTS	CHECKER	ENG. APP.
UNLESS OTHERWISE SPECIFIED DIMENSIONS ARE IN INCHES AND INCLUDE CHEMICALLY APPLIED OR PLATED FINISHES						
TOLERANCES						
FRACTIONS ± 1/64 ANGLES ± 0° 30'						
DECIMALS .X ± .05 .XX ± .01 .XXX ± .005						
SCALE 1:1						
CODE A						