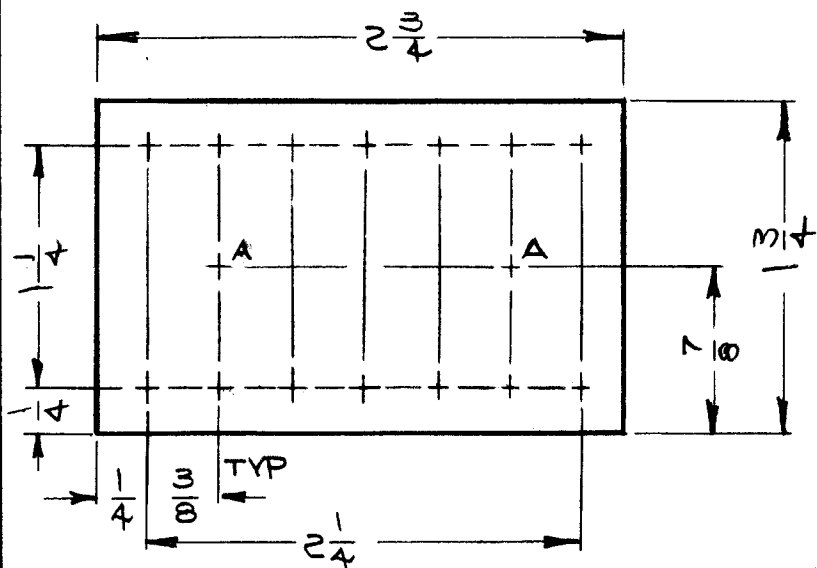


A - .189 DIA - 2 REQ
 UNMARKED - .116 DIA. - 14 REQ

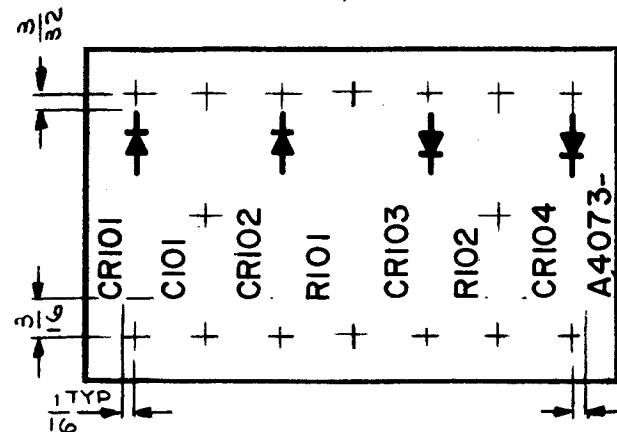


MAT'L: 3/32, XXXP PHENOLIC, NATURAL
 MACHINING (A4073-1)

MARKING PROCESS: AS PER TMC SPEC 'S-727'

LETTERING: 1/8 HIGH BLACK GOTHIC,
 LOCATED AS SHOWN

FUNGUS PROOFING PER TMC SPEC 'S-113'



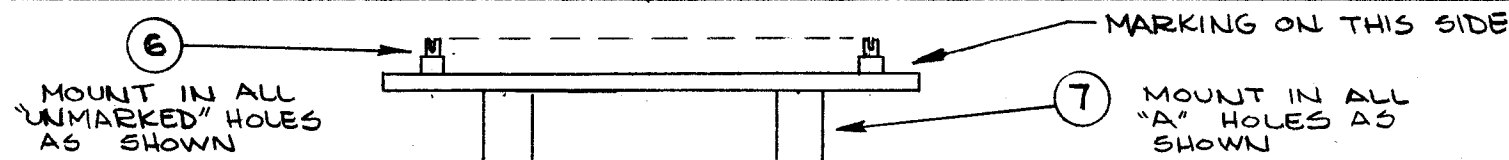
MARK TMC PART NO. WITH LATEST
 REVISION LETTER.

MARKING (A4073-2)

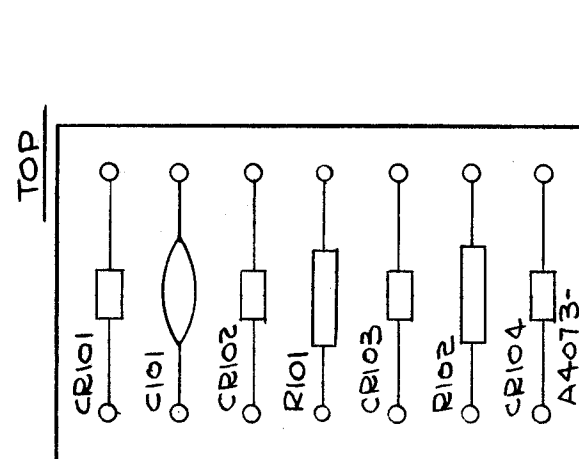
A4073 B

REVISIONS

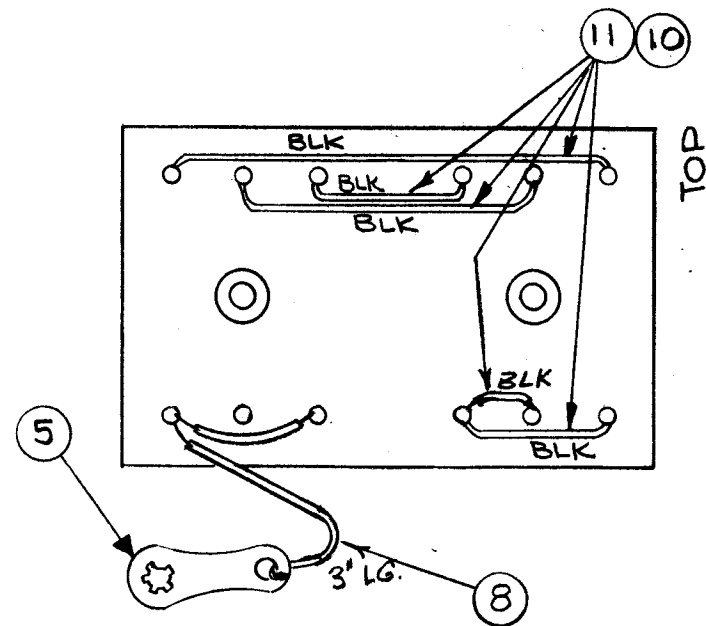
SYM	DESCRIPTION	DATE	E.M.N. NO.	DRAFT	CHKD	APPD
X	EXPER. RELEASE	11/21/64	X			
X ₁	ADDED ITEMS 10 & 11; LOCATING DIM'S OF MARKING ON -2; REVISED JUMPERS ON -4	9/29/65		JL		
Ø	ORIGINAL RELEASE FOR PRODUCTION	10/25/65				
A	MATERIAL WAS EPOXY IT WAS PC20GF224K IT WAS 022	8/7/65	15378	F.V.		
B	HOLE QTY. WAS 12 3/4 DIA. DELE. ON -1, -4 IT 11 REL. 2 RIV ADD	1/12/66	15551	F.V.		



SUB ASSY (A4073-3)



ELECTRICAL ASSY (A4073-4)



REQ'D.	ITEM	PART NUMBER	DESCRIPTION	SYMBOL
X	11	WL100-7	WIRE, BUSS BAR, #22	
X	10	PX104-1:034	SLEEVING, INSULATION	
X	9	BS100	SOLDER, TIN ALLOY	
X	8	MWC22 (7) UO	WIRE, ELECTRICAL, INSULATED	BLK.
2	7	TE108-12	NUT, PLAIN, CLINCH	"A"
14	6	TE109-2	TERMINAL, STUD	
1	5	TE104-3	TERMINAL, LUG-LKG.	
1	4	CC100-32	CAPACITOR, FIXED, CERAMIC	C101
1	3	RC20GF224J	RESISTOR, FIXED, COMPOSITION	R101
1	2	RC42GF100J	RESISTOR, FIXED, COMPOSITION	R102
4	1	1N4366	DIODE	CR101, 2, 3, 4

LIST OF MATERIAL

MATERIAL	SEE A4073-1	THE TECHNICAL MATERIEL CORP. MAMARONECK, NEW YORK			
FINISH	SEE A4073-1	TITLE TERMINAL BOARD ASSY			
UNLESS OTHERWISE SPECIFIED DIMENSIONS ARE IN INCHES AND INCLUDE CHEMICALLY APPLIED OR PLATED FINISHES		DRAWN	DATE	FINAL APPROVAL	DATE
		GPL			10/15/65
		CHECKED	DATE		
		J.L.	9/29/65		
DECIMALS .X ± .05 .XX ± .01 .XXX ± .005		ELECT. DES.	DATE		
FRACTIONS ± 1/64 ANGLES ± 0° 30'		MECH. DES.	DATE		
TOLERANCES		A4073		B	
		SHEET		REV. LTR.	

NOTES

THE CONTENTS OF THIS DRAWING ARE THE EXCLUSIVE PROPERTY
 OF THE TECHNICAL MATERIEL CORP. ITS UNAUTHORIZED USE OR
 REPRODUCTION IN WHOLE OR IN PART IS STRICTLY FORBIDDEN.

1	TPCK-1	A4206
Q'TY./UNIT	MODEL USED ON	ASS'Y. NO.
SCALE 1:1	CODE A	