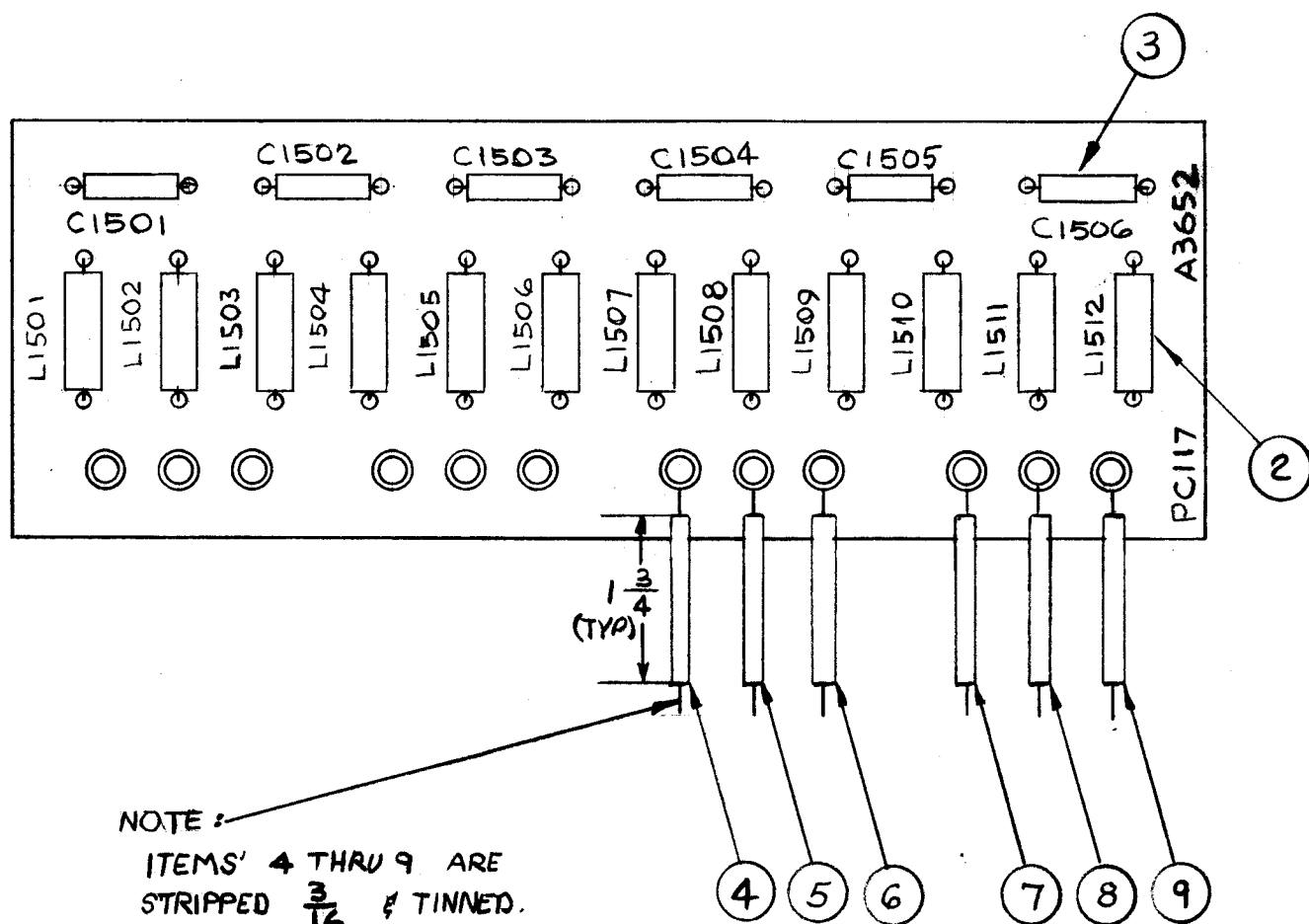


A 3652

REVISIONS

SYM	DESCRIPTION	DATE	E.M.N. NO.	DRAFT	CHKD	APPD
X	EXPERIMENTAL RELEASE	9-22-64	X	SRG		
Xi	COMPLETELY REVISED	4-30-65		CJL		
Ø	ORIGINAL RELEASE FOR PRODUCTION					
A	IT 3 WAS CM15C511J, RAK-102-4 ADD	9/8/65	14750	AVV	JCB	MM



NOTE:
ITEMS 4 THRU 9 ARE STRIPPED $\frac{3}{16}$ & TINNED.

REQ'D.	ITEM	PART NUMBER	DESCRIPTION	SYMBOL
X	10	BS100	SOLDER, TIN ALLOY	
2"	9	MWC22/7/U7	WIRE, ELECTRICAL, INSULATION	
2"	8			
2"	7			
2"	6			
2"	5			
2"	4	MWC22/7/U2	WIRE, ELECTRICAL, INSULATION	
6	3	CM15F511J03	CAPACITOR, FIXED, MICA	C1501 TO C1506
12	2	CL 270-10	COIL, RF, FIXED	L1501 TO L1512
1	1	PC117-3	PRINTED CIRCUIT BOARD	

EATON		LIST OF MATERIAL	
MATERIAL	<i>MA</i>	THE TECHNICAL MATERIEL CORP. MAMARONECK, NEW YORK	
FINISH	<i>MA</i>	TITLE PRINTED CIRCUIT BD. ASSY	
UNLESS OTHERWISE SPECIFIED DIMENSIONS ARE IN INCHES AND INCLUDE CHEMICALLY APPLIED OR PLATED FINISHES		DRAWN	TAR
DECIMALS .X ± .05 .XX ± .01 .XXX ± .005		DATE	9-22-64
FRACTIONS ± 1/64 ANGLES ± 0° 30'		DATE	5-21-65
TOLERANCES		ELECT. DES.	
		MECH. DES.	
		DATE	
		SHEET	A-3652
		REV. LTR.	A

1	RAK-102-4	
1	RAK-102-2	
Q'TY./UNIT	MODEL USED ON	ASS'Y. NO.
SCALE 1:1	CODE A	<i>MA</i>

THE CONTENTS OF THIS DRAWING ARE THE EXCLUSIVE PROPERTY OF THE TECHNICAL MATERIEL CORP. ITS UNAUTHORIZED USE OR REPRODUCTION IN WHOLE OR IN PART IS STRICTLY FORBIDDEN.

NOTES