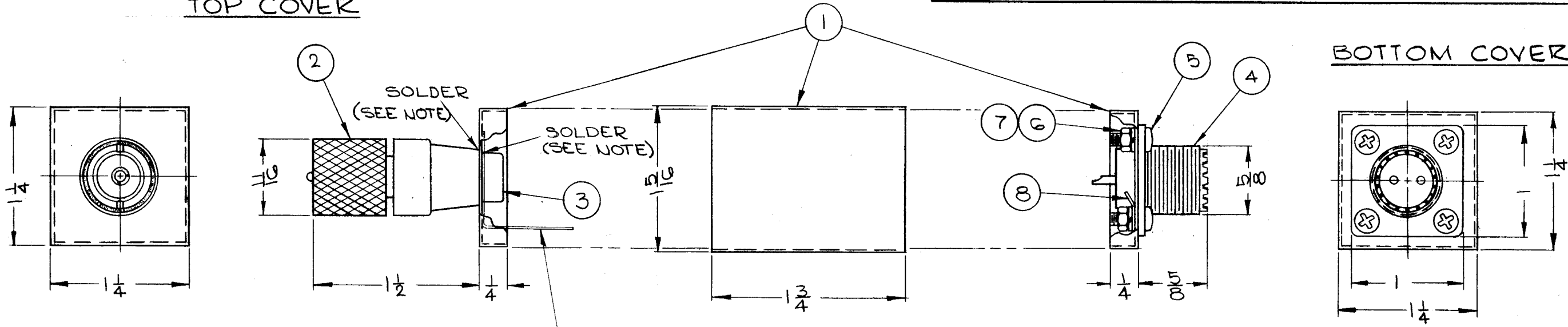


REVISIONS						
SYM	DESCRIPTION	DATE	E.M.N. NO.	DRAFT	CHKD	APPD
A-3446						

TOP COVER

BOTTOM COVER



10
BEND AS SHOWN

~NOTES~

SOLDER ITEMS 2,3 & 10 TO TOP COVER AS INDICATED. FACE OF COVER MUST HAVE SMOOTH, NEAT APPEARANCE AFTER SOLDERING.

* USE LATEST REVISION LETTER IN UG- NUMBERS.

REQ'D.	ITEM	PART NUMBER	DESCRIPTION	SYMBOL
1	10	TE-129	TERMINAL, LUG	
X	9	BS-100	SOLDER, SOFT	
1	8	TE-110-2	TERMINAL, LUG	
4	7	NTH0440BN6	NUT, HEX	
4	6	LWS04MRN	WASHER, LOCK, SPLIT	
4	5	SCBP0440BN5	SCREW, MACHINE	
1	4	UG-103*/U	CONNECTOR, RECP, TWIN	
1	3	UG-176*/U	ADAPTER, CONNECTOR	
1	2	PL-259A-TEF	CONNECTOR, PLUG, DHP	
1	1	BX-10008	CASE & COVERS	

LIST OF MATERIAL

MATERIAL	THE TECHNICAL MATERIEL CORP. MAMARONECK, NEW YORK			
FINISH	TITLE CONNECTOR & CAN ASSY			
UNLESS OTHERWISE SPECIFIED DIMENSIONS ARE IN INCHES AND INCLUDE CHEMICALLY APPLIED OR PLATED FINISHES	DRAWN	DATE	FINAL APPROVAL	DATE
	CHECKED	DATE		
DECIMALS	.X ± .05	TOLERANCES	± 1/64	
	.XX ± .01		ANGLES	± 0° 30'
	.XXX ± .005			
	ELCCT. DES.	DATE	A-3446	
	MECH. DES.	DATE	SHEET	REV. LTR.

1	TR-075	A-10128
Q'TY./UNIT	MODEL USED ON	ASS'Y. NO.
SCALE 1:1	CODE A	
THE CONTENTS OF THIS DRAWING ARE THE EXCLUSIVE PROPERTY OF THE TECHNICAL MATERIEL CORP. ITS UNAUTHORIZED USE OR REPRODUCTION IN WHOLE OR IN PART IS STRICTLY FORBIDDEN.		

NOTES