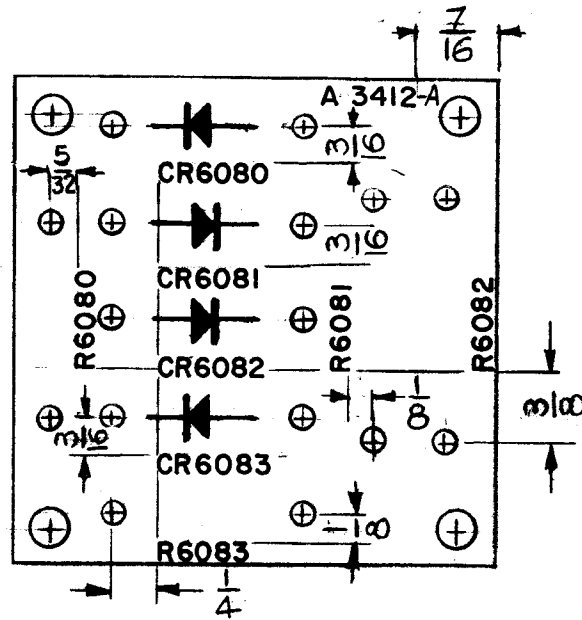


MARKING PROCESS: AS PER TMC SPEC. 5-727
LETTERING: 3/32 HIGH BLACK GOTHIC, LOCATED AS SHOWN.

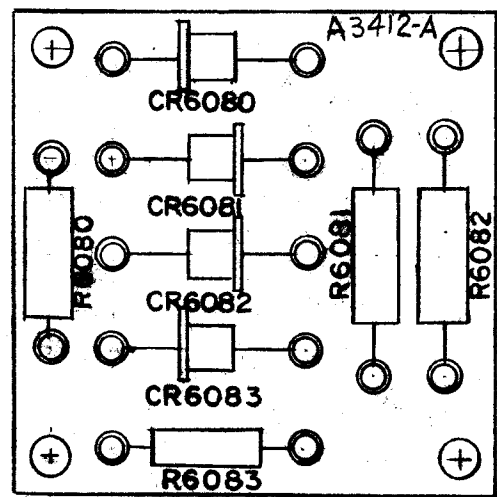
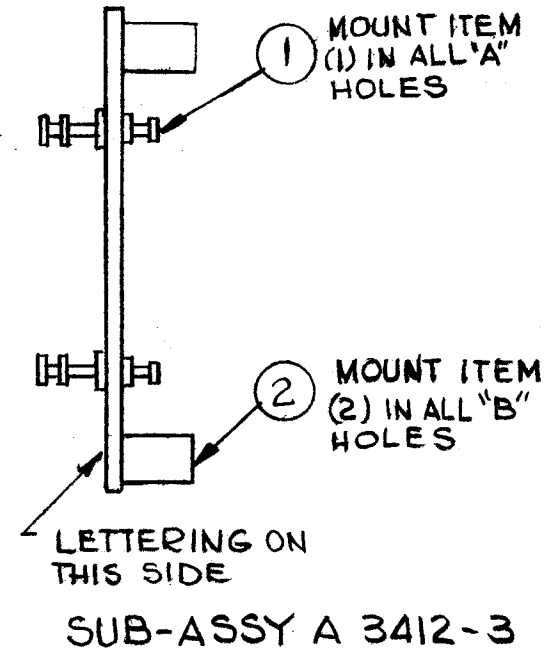


FUNGUS PROOFING PER TMC SPECIFICATION S-113

MARKING: A 3412-2

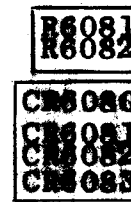
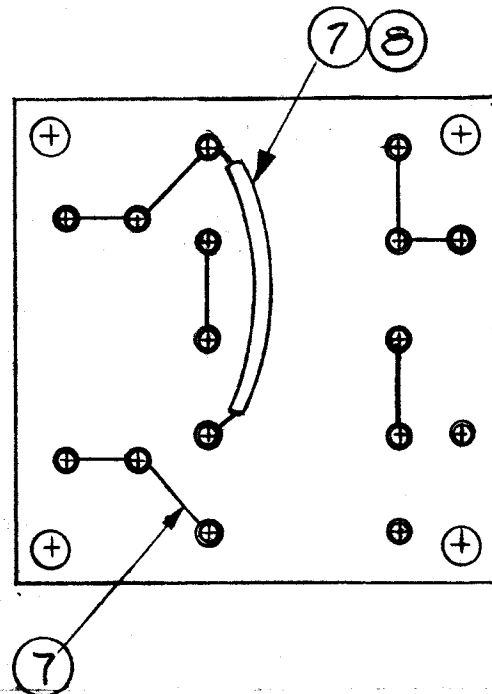
REVISIONS

SYM	DESCRIPTION	DATE	E.M.N. NO.	DRAFT	CHKD	APPD
XI	TMC S113 ADDED TO A 3412-2	4-20-64	XI	A.M.	@	<i>JRG</i>
O	ORIGINAL RELEASE FOR PRODUCTION	4/24/64	O	A.M.	@	<i>JRG</i>
A	ITEM 7 WAS WI100-6	6/30/64	11680	A.M.	@	<i>JRG</i>
B	IT.3 WAS IN1692, IT.4 WAS RC30GF222K	10-23-64	12762	AB	@	<i>JRG</i>



MOUNT RESISTORS AS SHOWN

FINAL ASSY A 3412-4



X	9	BS 100	SOLDER, SOFT	
2"	8	PX 104-1-.034	INSULATION SLEEVING	BLACK
X	7	WL 100-6	WIRE, BUSS-BAR TINNED	
1	6	RC42GF101K	RESISTOR, FIXED COMPOSITION	R6080
2	5	RC42GF100K	RESISTOR, FIXED COMPOSITION	
1	4	RC32GF222K	RESISTOR, FIXED COMPOSITION	R6083
4	3	1N1692	DIODE, SILICON	
4	2	TE 108-12	STAND OFF, RIVET TYPE	
16	1	TE 202-2	TERMINAL, MIDGET, DOUBLE END	

REQ'D.	ITEM	PART NUMBER	DESCRIPTION	SYMBOL
--------	------	-------------	-------------	--------

AALTONEN		LIST OF MATERIAL	
MATERIAL SEE A 3412-1		THE TECHNICAL MATERIEL CORP. MAMARONECK, NEW YORK	
FINISH ---		TITLE TERMINAL BOARD ASSY	

UNLESS OTHERWISE SPECIFIED		DRAWN G.O.L		DATE 12-27-63		FINAL APPROVAL		DATE		
DIMENSIONS ARE IN INCHES AND INCLUDE CHEMICALLY APPLIED OR PLATED FINISHES					CHECKED @		DATE 3-14-64		<i>JRG</i>	
ELECT. DES. <i>JRG</i>					DATE 2/14/64		A 3412		B	
MECH. DES. <i>JRG</i>					DATE 3-14-64		SHEET		REV. LTR.	

NOTES

THE CONTENTS OF THIS DRAWING ARE THE EXCLUSIVE PROPERTY OF THE TECHNICAL MATERIEL CORP. ITS UNAUTHORIZED USE OR REPRODUCTION IN WHOLE OR IN PART IS STRICTLY FORBIDDEN.

DECIMALS .X ± .05 .XX ± .01 .XXX ± .005	TOLERANCES	FRACTIONS ± 1/64 ANGLES ± 0° 30'
--	------------	---