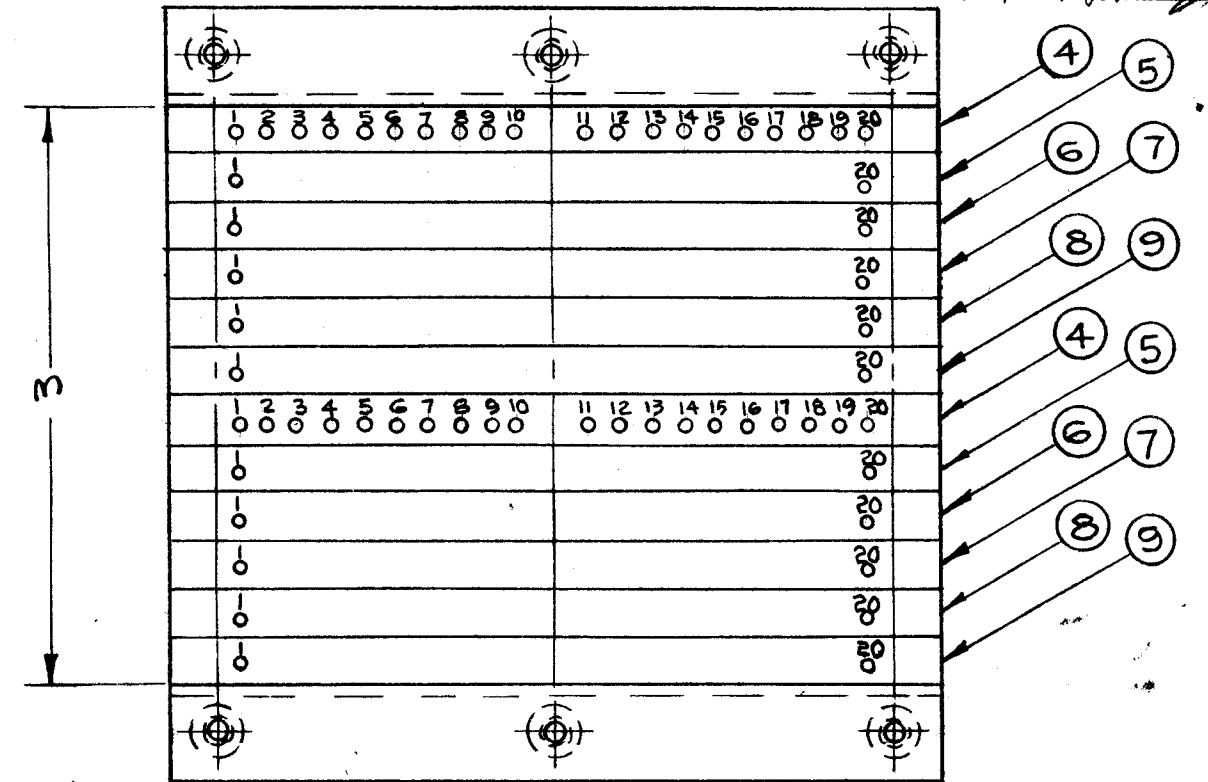
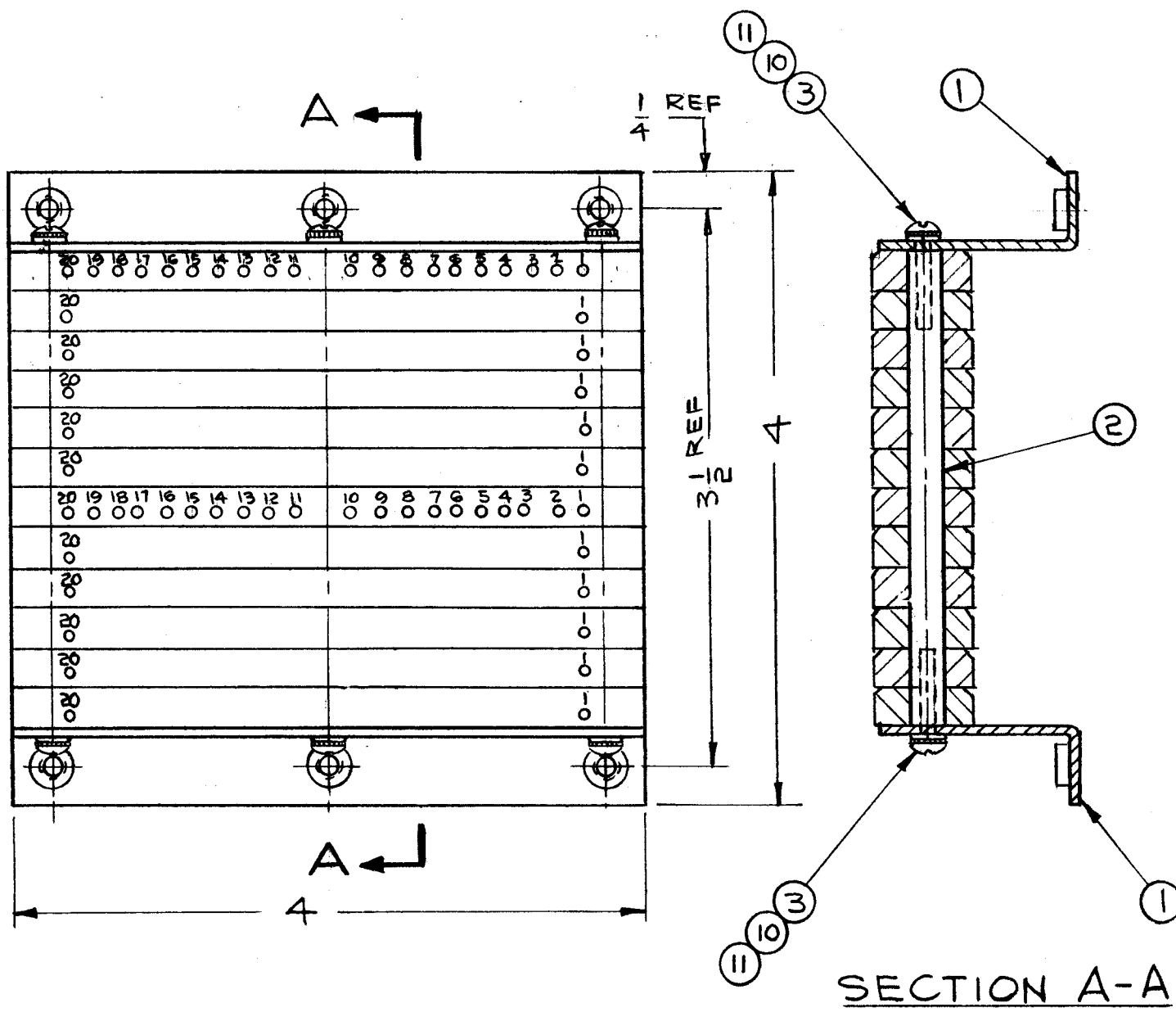


C
A-3348

REVISIONS

SYM	DESCRIPTION	DATE	E.M.N. NO.	DRAFT	CHKD	APPD
X	EXPERIMENTAL RELEASE	3.10.64				
O	ORIGINAL RELEASE FOR PRODUCTION	3.11.64				
A	ON B.M. CHG. QTY. OF IT.#4 THRU #9 FROM 1EA. TO 2 EA.	3.24.64	11101	WJB	@	JJ
B	IT. 2 WAS PM1023, IT. 3 WAS SCBPO440 BNB IT. 10, 11 ADDED TO B/M & PICT.	8.27.64	12185	WJB	OK	JJ
C	IT 2 WAS TE0440AE84R	12.30.66	17593	WJB	OK	JJ



REF: LD-1429

REQ'D.	ITEM	PART NUMBER	DESCRIPTION	SYMBOL
2	9	TM-126-0	TERMINAL BOARD, BLOCK TYPE	BLK
2	8	TM-126-2		RED
2	7	TM-126-3		ORN
2	6	TM-126-4		YEL
2	5	TM-126-5		GRN
2	4	TM-126-8	TERMINAL BOARD, BLOCK TYPE	GRAY
6	3	SCBPO440BNG	SCREW, MACHINE	
3	2	TE0440AE85R	SPACED, THREADED	
2	1	MS-3633	BRACKET, TERMINAL BOARD	

REQ	ITEM	PART NO.	DESCRIPTION	SYM
6	11	FW04HBN	WASHER, FLAT	
6	10	LWE04MRN	WASHER, LOCK, EXT.	

I. JOHNSON		LIST OF MATERIAL			
MATERIAL		THE TECHNICAL MATERIEL CORP. MAMARONECK, NEW YORK			
FINISH		TITLE TERMINAL BOARD ASSEMBLY LPP-4			
UNLESS OTHERWISE SPECIFIED DIMENSIONS ARE IN INCHES AND INCLUDE CHEMICALLY APPLIED OR PLATED FINISHES		DRAWN: JAR	DATE: 11-4-63	FINAL APPROVAL: [Signature]	
DECIMALS .X ± .05 .XX ± .01 .XXX ± .005		CHECKED: [Signature]	DATE: 3-10-64	DATE: 3-10-64	
FRACTIONS ± 1/64 ANGLES ± 0° 30'		ELECT. DES. [Signature]	DATE: 3-10-64	A-3348	
TOLERANCES		MECH. DES. [Signature]	DATE: 3/10/64	C	
		SHEET		REV. LTR.	

NOTES

THE CONTENTS OF THIS DRAWING ARE THE EXCLUSIVE PROPERTY OF THE TECHNICAL MATERIEL CORP. ITS UNAUTHORIZED USE OR REPRODUCTION IN WHOLE OR IN PART IS STRICTLY FORBIDDEN.

1	LPP-4	
Q'TY./UNIT	MODEL USED ON	ASS'Y. NO.
SCALE 1/1	CODE A	