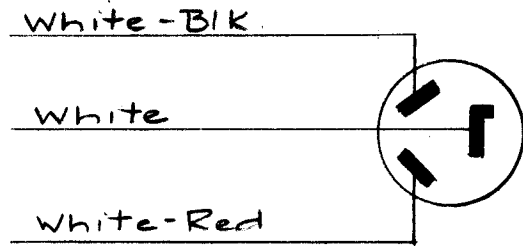
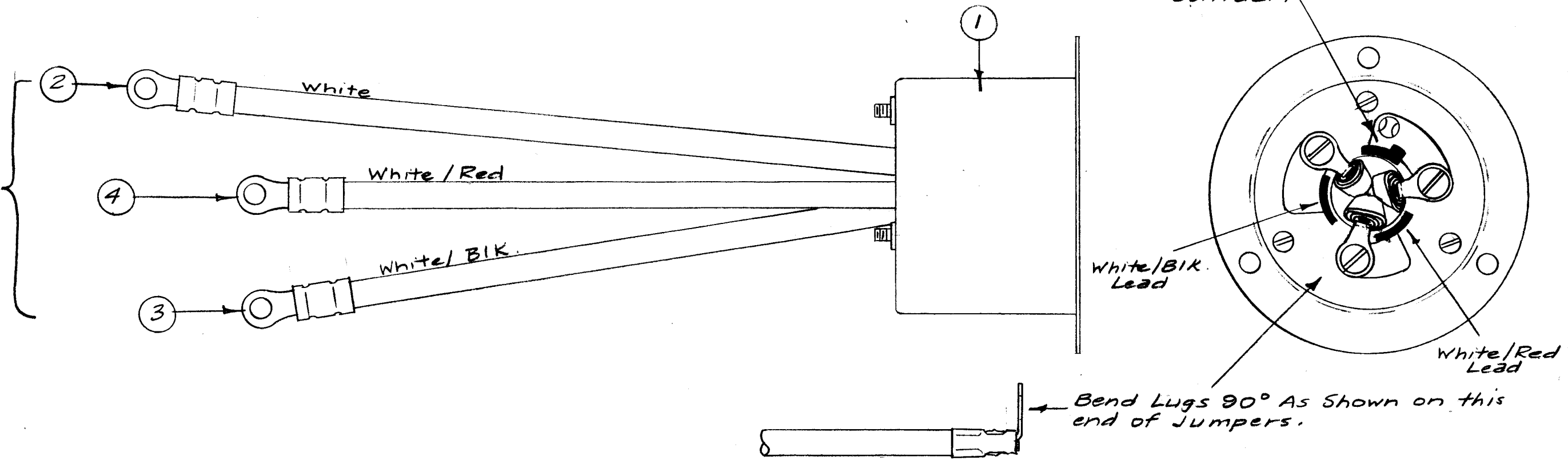


TO
A-1605



SCHEMATIC

NOTICE TO PERSONS RECEIVING THIS DRAWING

THE TECHNICAL MATERIEL CORPORATION claims proprietary right in the material disclosed hereon. This drawing is issued in confidence for engineering information only and may not be reproduced or used to manufacture anything shown hereon without permission from THE TECHNICAL MATERIEL CORPORATION to the user. This drawing is loaned for mutual assistance and is subject to recall at any time.

Property of:
THE TECHNICAL MATERIEL CORPORATION
MAMARONECK, NEW YORK

REQ. ITEM	PART NO.	DESCRIPTION	SYMBOL
1 4	CA-409-19-6.00	Cable Ass'y., Jumper	White Red
1 3	CA-409-18-6.00	Cable Ass'y., Jumper	White Blk
1 2	CA-409-17-7.00	Cable Ass'y., Jumper	Whit.
1 1	PL-133-NG	Connector, Recept., 3 Prong	J501
STOCK SIZE		THE TECHNICAL MATERIEL CORP. MAMARONECK, NEW YORK	
MATERIAL		AC CONNECTOR & LEAD ASS'Y. (J501)	
TYPE & TEMPER		HEAT TREAT. SPEC.	DRAWN
FINISH & SPEC. NO.		ELEC. DES. APP.	MECH. DES. APP.

ISSUE ITEM	CHANGED FROM	DATE	CH. NO.	DRAFTS	CHECKER	ENG. APP.
A	ADD SYM J501 To IT 1	12-21-66	17533	RME	[Signature]	[Signature]
TOLERANCES		SCALE: FULL				
DEC. DIM. ±		MAXIMUM ALLOWABLE TOLERANCES HAVE BEEN DETERMINED AND ANY DEVIATIONS WILL BE CAUSE FOR REJECTION. REMOVE ALL BURRS AND SHARP EDGES				
FRAC. DIM. ±						
ANGULAR DIM. ±						

REQ. PER UNIT	MODEL	PROJECT NO.	ASS'Y. NO.	DATE
1	CAB-7	A-1605	12-16-58	
USED ON				