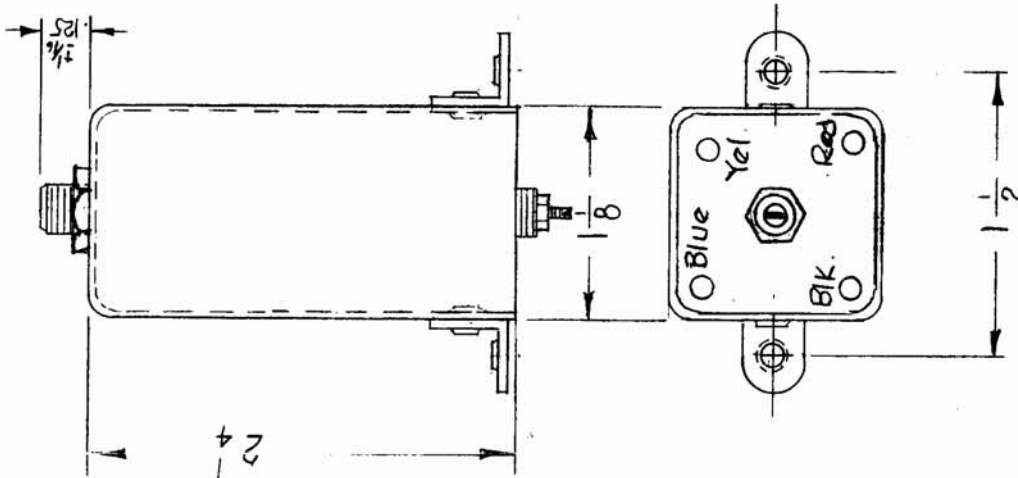


REQ. PER UNIT	USED ON	AC-114	B
1	MODEL	CHL-1	
	ASST. NO.		
	DATE	4-8-60	

ELECTRICAL SPECIFICATIONS

L = 280 μ h \pm 10%
 Q = 80 OR GREATER
 FREQ = 790 KC



REQ. ITEM	PART NO.	DESCRIPTION	SYMBOL
B 1	10% Tol. added to L	THE TECHNICAL MATERIEL CORP. MAMARONECK, NEW YORK	
A 1	Color Chgs on All Terminals	COIL, TUNED	
ISSUE ITEM	CHANGED FROM	500KC AMP	
TOLERANCES DEC. DIM. \pm FRAC. DIM. \pm ANGULAR DIM. \pm			
DATE	CH. NO.	DRAFTS	CHECKER
3-16-61	4442	DM	RF
10-17-60	3229	J.C.B.	RF
SCALE:	2A-1860		
MAXIMUM ALLOWABLE TOLERANCES HAVE BEEN DETERMINED AND ANY DEVIATIONS WILL BE CAUSE FOR REJECTION. REMOVE ALL BURRS AND SHARP EDGES			
TYPE & TEMPER	HEATTREAT. SPEC.	DRAWN	CHECKED
		RF	RF
FINISH & SPEC. NO.			FINAL APPROVAL
			AC-114
ELEC. DES. APP. MECH. DES. APP.			B